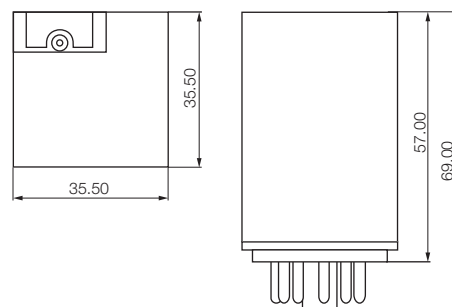
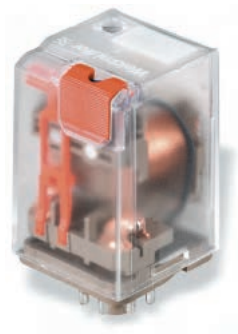


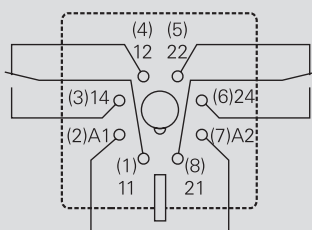
Relay couplers - RIDERSERIES

RRD relay 2 CO contact AC/DC coil

- 2 change-over contacts
- 2500 VA switching capacity
- Mechanical operating indicator
- Safe-to-touch test button, selectable locking

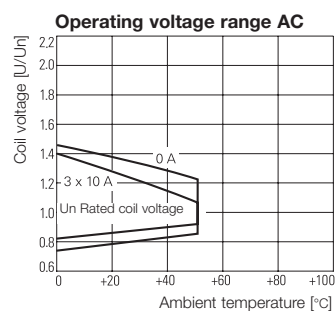
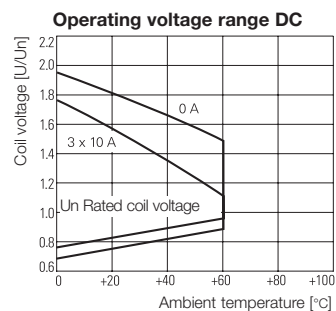
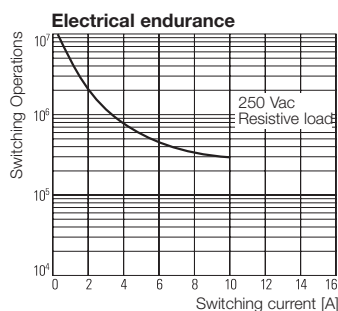
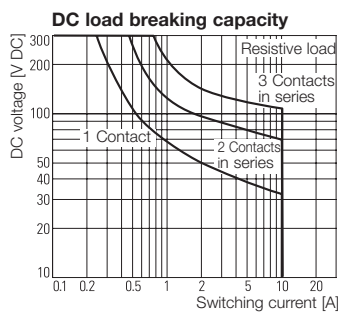


Circuit diagram View of connections



Output	
max. switching voltage AC	250 V
Continuous current	10 A
Contact base material	AgNi 90/10
Mechanical endurance	20x10 ⁶ switching cycles
Response time / Drop-out time	12 ms / 5 ms
Rated data	
Status indicator/Free wheel diode	mechanical/no
Operating temperature	-45 °C...+50 °C
UL 94 flammability rating	V-0
Approvals	cURus; CE; VDE;
Insulation coordination (IEC 60664)	
Rated voltage	250 V
Creepage and clearance path input - output	≤ 4mm
Overtoltage category	III
Pollution severity	3
Dimensions	
Length x width x height	mm 35.5 / 35.5 / 57
Note	

Applications



**RRD relay
2 CO contact
AC/DC coil**

Type code	RRD							
Type	RIDER Round							
Contacts	2 2 change-over contacts, 8-pole 3 3 change-over contacts, 11-pole							
Contact material	2 AgNi 90/10							
Type of construction	1 DC coil with test button 3 DC coil with test button and bi-polar LED 6 AC coil with test button 8 AC coil with test button and bi-polar LED							
DC coil	006	6 V DC						Free wheel diode
	012	12 V DC						
	024	24 V DC					0C4	
	048	48 V DC					0E8	
	060	60 V DC					0G0	
	110	110 V DC					1B0	
	220	220 V DC					2C0	
AC coil	506	6 V AC						
	512	12 V AC						
	524	24 V AC						
	548	48 V AC						
	615	115 V AC						
	730	230 V AC						

Ordering data

Input	24 V DC 2CO	48 V DC 2CO	110 V DC 2CO	220 V DC 2CO
Rated voltage	24 V DC	48 V DC	110 V DC	220 V DC
DC Response/dropout Volt	18.0 V / 2.4 V	36.0 V / 4.8 V	82.5 V / 11.5 V	165 V / 22 V
Power rating	1,2 W	1,2 W	1,2 W	1,2 W
Rated current DC	50.5 mA	24.0 mA	11.0 mA	5,5 mA
Coil resistance	475 Ω ±10%	2000 Ω ±10%	10000 Ω ±12%	40000 Ω ±15%

**Ordering data
Relay**

with test button	Type	RRD221024	RRD221048	RRD221110	
AgNi 90/10	Order No.	8690370000	8690390000	8690410000	
with test button/LED	Type	RRD223024	RRD223048	RRD223110	RRD223220
AgNi 90/10	Order No.	8690380000	8690400000	8690420000	8798600000
	Type				
	Order No.				

Note

Ordering data

Input	24 V AC 2CO	48 V AC 2CO	115 V AC 2CO	230 V AC 2CO
Rated voltage	24 V AC	48 V AC	115 V AC	230 V AC
AC Response/dropout Volt	19.2 V / 9.6 V	38.4 V / 19.2 V	92.0 V / 46.0 V	184.0 V / 92.0 V
Power rating	2,3 VA	2,3 VA	2,3 VA	2,3 VA
Rated current AC	94.2 mA	47.5 mA	20.6 mA	10.1 mA
Coil resistance	86 Ω ±10%	345 Ω ±10%	2000 Ω ±10%	8300 Ω ±12%

**Ordering data
Relay**

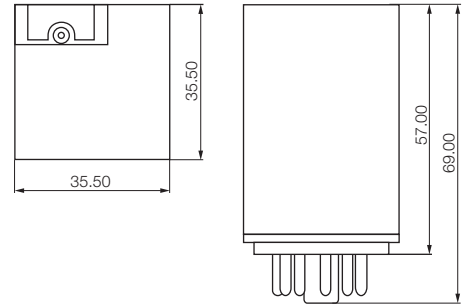
with test button	Type	RRD226024	RRD226048	RRD226115	RRD226230
AgNi 90/10	Order No.	8690270000	8690290000	8690310000	8690330000
with test button/LED	Type	RRD228024	RRD228048	RRD228115	RRD228230
AgNi 90/10	Order No.	8690280000	8690300000	8690320000	8690340000
	Type				
	Order No.				

Note

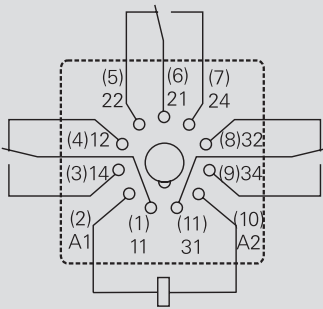
Relay couplers - RIDERSERIES

RRD relay 3 CO contact AC/DC coil

- 3 change-over contacts
- 500 VA switching capacity
- Mechanical operating indicator
- Safe-to-touch test button, selectable locking

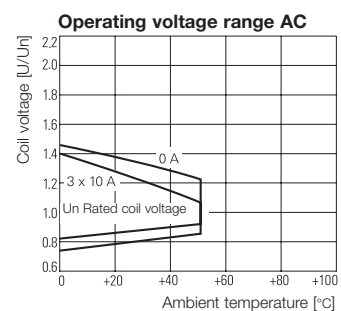
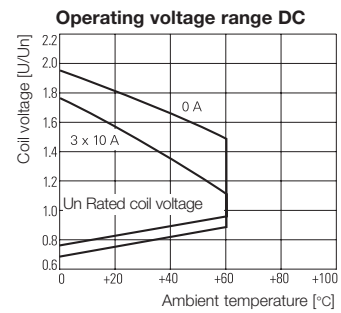
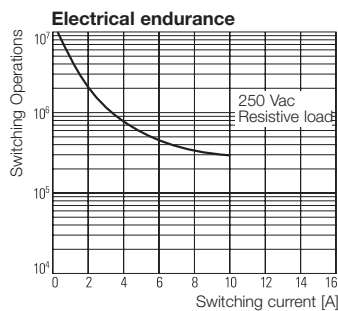
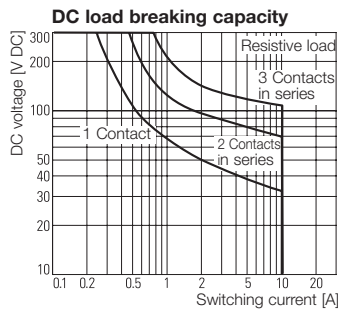


Circuit diagram View of connections



Output	
max. switching voltage AC	250 V
Continuous current	4 A
Contact base material	AgNi 90/10
Mechanical endurance	20x10 ⁶ switching cycles
Response time / Drop-out time	12 ms / 5 ms
Rated data	
Status indicator/Free wheel diode	mechanical/no
Operating temperature	AC coil -45...+50°C / DC coil -45...+60°C
UL 94 flammability rating	V-0
Approvals	cURus; CE; VDE;
Insulation coordination (IEC 60664)	
Rated voltage	250 V
Creepage and clearance path input - output	≤ 4mm
Overtoltage category	III
Pollution severity	3
Dimensions	
Length x width x height	mm 35.5 / 35.5 / 57
Note	

Applications



**RRD relay
3 CO contact
AC/DC coil**

Type code	RRD						
Type	RIDER Round						
Contacts	2 2 change-over contacts, 8-pole 3 3 change-over contacts, 11-pole						
Contact material	2 AgNi 90/10						
Type of construction	1 DC coil with test button 3 DC coil with test button and bi-polar LED 6 AC coil with test button 8 AC coil with test button and bi-polar LED						
							Free wheel diode
							DC coil
							006 6 V DC
							012 12 V DC
							024 24 V DC OC4
							048 48 V DC OE8
							060 60 V DC OG0
							110 110 V DC 1B0
							220 220 V DC 2C0
							AC coil
							506 6 V AC
							512 12 V AC
							524 24 V AC
							548 48 V AC
							615 115 V AC
							730 230 V AC

Ordering data

Input	12 V DC 3CO	24 V DC 3CO	110 V DC 3CO	220 V DC 3CO
Rated voltage	12 V DC	24 V DC	110 V DC	220 V DC
DC Response/dropout Volt	9 V / 1,2 V	18 V / 2,4 V	82,5 V / 11,5 V	165 V / 22 V
Power rating	1,2 W	1,2 W	1,2 W	1,2 W
Rated current DC	109,1 mA	50,5 mA	11 mA	5,5 mA
Coil resistance	110 Ω ±10%	475 Ω ±10%	10000 Ω ±12%	40000 Ω ±15%

**Ordering data
Relay**

with test button	Type	RRD321012	RRD321024	RRD321110	RRD321220
AgNi 90/10	Order No.	8799030000	8690610000	8690650000	7940007742
with test button/LED	Type		RRD323024	RRD323110	RRD323220
AgNi 90/10	Order No.		8690620000	8690660000	8798610000
	Type				
	Order No.				

Note

Ordering data

Input	24 V AC 3CO	48 V AC 3CO	115 V AC 3CO	230 V AC 3CO
Rated voltage	24 V AC	48 V AC	115 V AC	230 V AC
AC Response/dropout Volt	19,2 V / 9,6 V	38,4 V / 19,2 V	92 V / 46 V	184 V / 92 V
Power rating	2,3 VA	2,3 VA	2,3 VA	2,3 VA
Rated current AC	94,2 mA	47,5 mA	20,6 mA	10,1 mA
Coil resistance	86 Ω ±10%		2000 Ω ±10%	8300 Ω ±12%

**Ordering data
Relay**

with test button	Type	RRD326024	RRD326048	RRD326115	RRD326230
AgNi 90/10	Order No.	8690450000	8690470000	8690550000	8690570000
with test button/LED	Type	RRD328024	RRD328048	RRD328115	RRD328230
AgNi 90/10	Order No.	8690460000	8690480000	8690560000	8690580000
	Type				
	Order No.				

Note