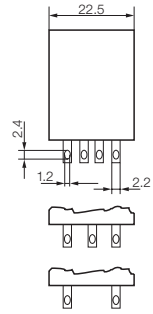


# Relay couplers - RIDERSERIES

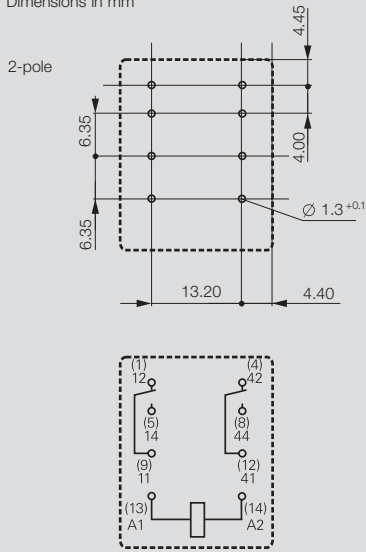
## RCM relay 2 CO contact AC/DC coil

- 3000 VA switching capacity
- Solder and plug connection
- Safe-to-touch test button, selectable locking
- White labelling panel



### Circuit diagram

View of connections  
Dimensions in mm



### Output

max. switching voltage AC	250 V
Continuous current	12 A
Contact base material	AgNi 90/10
Mechanical endurance	AC coil 20x10 <sup>6</sup> / DC coil 30x10 <sup>6</sup> switching operations
Response time / Drop-out time	15ms / 10ms

### Rated data

Status indicator / Free wheel diode	see ordering data
Operating temperature	-40 °C...+70 °C
UL 94 flammability rating	V-0
Approvals	cURus; CE; VDE;

### Insulation coordination (IEC 60664)

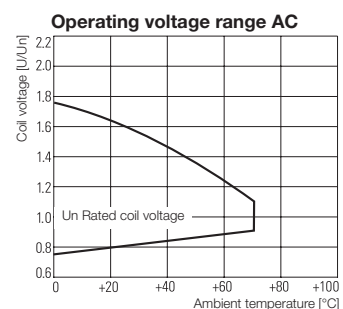
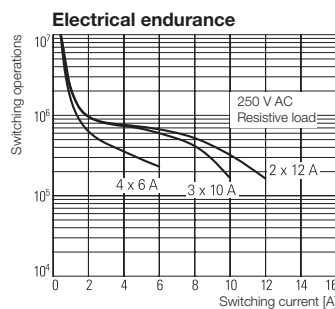
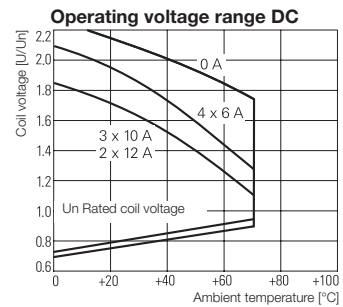
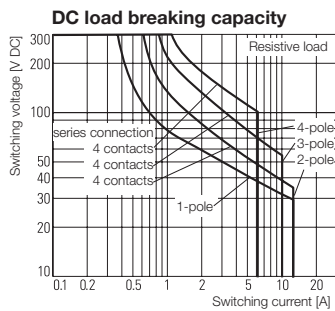
Rated voltage	240 V
Creepage and clearance path input - output	≤ 4mm
Overvoltage category	III
Pollution severity	3

### Dimensions

Length x width x height	mm	28 / 22.5 / 29
-------------------------	----	----------------

### Note

## Applications



**RCM relay  
2 CO contact  
AC/DC coil**

**Type code**

**Type** RIDER Control Multiple

**Contacts**

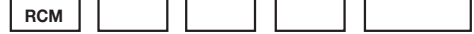
- 2 2 CO contacts
- 3 3 CO contacts
- 5 4 CO contacts

**Contact material**

- 7 AgNi 90/10, with test button
- 8 AgNi 90/10 hgp, with test button

**Type of construction**

- 0 Standard, 2.8 mm Faston
- 1 Print connections



**DC coil**

- 006 6 V DC
- 012 12 V DC
- 024 24 V DC
- 048 48 V DC
- 060 60 V DC
- 110 110 V DC
- 220 220 V DC

**AC coil**

- 506 6 V AC
- 512 12 V AC
- 524 24 V AC
- 548 48 V AC
- 615 115 V AC
- 730 230 V AC

**Ordering data**

**Input**

	12 V DC 2CO	24 V DC 2CO	48 V DC 2CO	110 V DC 2CO
Rated voltage	12 V DC	24 V DC	48 V DC	110 V DC
DC Response/dropout Volt	9.0 V / 1.2 V	18.0 V / 2.4 V	36.0 V / 4.8 V	82.5 V / 11.0 V
Power rating	750 mW	750 mW	750 mW	750 mW
Rated current DC	62.5 mA	31.3 mA	15.6 mA	6.8 mA
Coil resistance	192 Ω ±10%	777 Ω ±10%	3072 Ω ±10%	16133 Ω ±15%

**Ordering data  
Relay**

	12 V DC 2CO	24 V DC 2CO	48 V DC 2CO	110 V DC 2CO
without LED	Type RCM270012	Type RCM270024	Type RCM270048	Type RCM270110
AgNi 90/10	Order No. <b>8689840000</b>	Order No. <b>8689860000</b>	Order No. <b>8689880000</b>	Order No. <b>8689900000</b>
with LED	Type RCM270L12	Type RCM270L24	Type RCM270L48	Type RCM270M10
AgNi 90/10	Order No. <b>8689850000</b>	Order No. <b>8689870000</b>	Order No. <b>8689890000</b>	Order No. <b>8689910000</b>
	Type	Type	Type	Type
	Order No.	Order No.	Order No.	Order No.

**Note**

**Ordering data**

**Input**

	24 V AC 2CO	48 V AC 2CO	115 V AC 2CO	230 V AC 2CO
Rated voltage	24 V AC	48 V AC	115 V AC	230 V AC
AC Response/dropout Volt	38.4 V / 14.4 V	48.0 V / 18.0 V	92.0 V / 34.5 V	184.0 V / 69.0 V
Power rating	1,0 VA	1,0 VA	1,0 VA	1,0 VA
Rated current AC	41.6 mA	21.3 mA	8.8 mA	4.3 mA
Coil resistance	192 Ω ±10%	777 Ω ±10%	4845 Ω ±12%	19465 Ω ±15%

**Ordering data  
Relay**

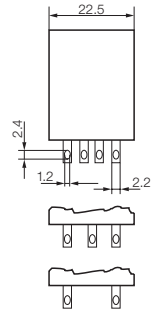
	24 V AC 2CO	48 V AC 2CO	115 V AC 2CO	230 V AC 2CO
without LED	Type RCM270524	Type RCM270548	Type RCM270615	Type RCM270730
AgNi 90/10	Order No. <b>8689760000</b>	Order No. <b>8689780000</b>	Order No. <b>8689800000</b>	Order No. <b>8689820000</b>
with LED	Type RCM270R24	Type RCM270R48	Type RCM270S15	Type RCM270T30
AgNi 90/10	Order No. <b>8689770000</b>	Order No. <b>8689790000</b>	Order No. <b>8689810000</b>	Order No. <b>8689830000</b>
	Type	Type	Type	Type
	Order No.	Order No.	Order No.	Order No.

**Note**

# Relay couplers - RIDERSERIES

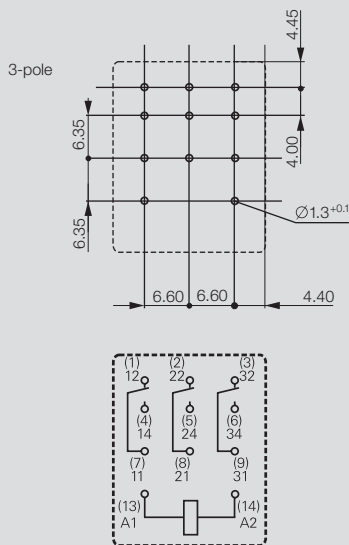
## RCM relay 3 CO contact AC/DC coil

- 2500 VA switching capacity
- Solder and plug connection
- Safe-to-touch test button, selectable locking
- White labelling panel



### Circuit diagram

View of connections  
Dimensions in mm



### Output

max. switching voltage AC	250 V
Continuous current	10 A
Contact base material	AgNi 90/10
Mechanical endurance	AC coil 20x10 <sup>6</sup> / DC coil 30x10 <sup>6</sup> switching operations
Response time / Drop-out time	15ms / 10ms

### Rated data

Status indicator / Free wheel diode	see ordering data
Operating temperature	-40 °C...+70 °C
UL 94 flammability rating	V-0
Approvals	cURus; CE; VDE;

### Insulation coordination (IEC 60664)

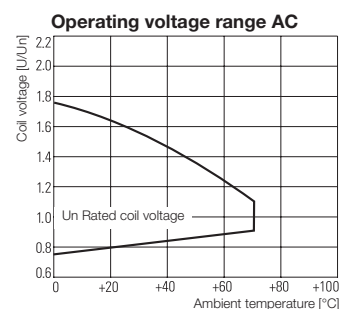
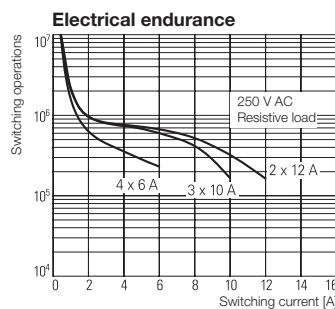
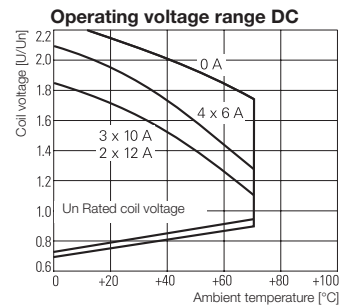
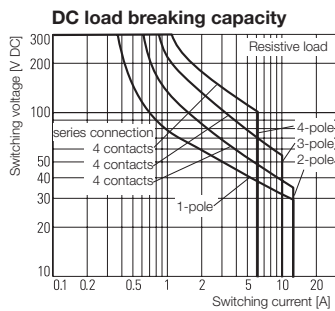
Rated voltage	240 V
Creepage and clearance path input - output	≤ 4mm
Overvoltage category	III
Pollution severity	3

### Dimensions

Length x width x height	mm	28 / 22.5 / 29
-------------------------	----	----------------

### Note

## Applications



**RCM relay  
3 CO contact  
AC/DC coil**

**Type code**

**Type** RIDER Control Multiple

**Contacts**

- 2 2 CO contacts
- 3 3 CO contacts
- 5 4 CO contacts

**Contact material**

- 7 AgNi 90/10, with test button
- 8 AgNi 90/10 hgp, with test button

**Type of construction**

- 0 Standard, 2.8 mm Faston
- 1 Print connections



**DC coil**

- 006 6 V DC
- 012 12 V DC
- 024 24 V DC
- 048 48 V DC
- 060 60 V DC
- 110 110 V DC
- 220 220 V DC

**AC coil**

- 506 6 V AC
- 512 12 V AC
- 524 24 V AC
- 548 48 V AC
- 615 115 V AC
- 730 230 V AC

**Ordering data**

Input	12 V DC 3CO	24 V DC 3CO	48 V DC 3CO	110 V DC 3CO
Rated voltage	12 V DC	24 V DC	48 V DC	110 V DC
DC Response/dropout Volt	9.0 V / 1.2 V	18.0 V / 2.4 V	36.0 V / 4.8 V	82.5 V / 11.0 V
Power rating	750 mW	750 mW	750 mW	750 mW
Rated current DC	62.5 mA	31.3 mA	15.6 mA	6.8 mA
Coil resistance	192 Ω ±10%	777 Ω ±10%	3072 Ω ±10%	16133 Ω ±15%

Ordering data Relay				
without LED Type	RCM370012	RCM370024	RCM370048	RCM370110
AgNi 90/10 Order No.	<b>8690020000</b>	<b>8690040000</b>	<b>8690060000</b>	<b>8690080000</b>
with LED Type	RCM370L12	RCM370L24	RCM370L48	RCM370M10
AgNi 90/10 Order No.	<b>8694310000</b>	<b>8690050000</b>	<b>8689940000</b>	<b>8690090000</b>
Type				
Order No.				

Note				

**Ordering data**

Input	24 V AC 3CO	48 V AC 3CO	115 V AC 3CO	230 V AC 3CO
Rated voltage	24 V AC	48 V AC	115 V AC	230 V AC
AC Response/dropout Volt	19.2 V / 7.2 V	38.4 V / 14.4 V	92.0 V / 34.5 V	184.0 V / 69.0 V
Power rating	1,0 VA	1,0 VA	1,0 VA	1,0 VA
Rated current AC	41.6 mA	21.3 mA	8.8 mA	4.3 mA
Coil resistance	192 Ω ±10%	777 Ω ±10%	4845 Ω ±12%	19465 Ω ±15%

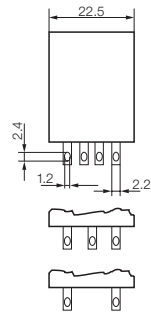
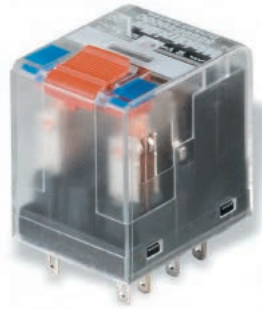
Ordering data Relay				
without LED Type	RCM370524	RCM370548	RCM370615	RCM370730
AgNi 90/10 Order No.	<b>8690030000</b>	<b>on request</b>	<b>8689980000</b>	<b>8690000000</b>
with LED Type	RCM370R24	RCM370R48	RCM370S15	RCM370T30
AgNi 90/10 Order No.	<b>8689950000</b>	<b>8689970000</b>	<b>8689990000</b>	<b>8690010000</b>
Type				
Order No.				

Note				

# Relay couplers - RIDERSERIES

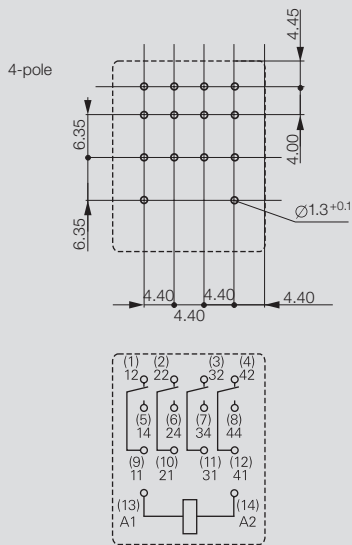
## RCM relay 4 CO contact AC/DC coil

- 1500 VA switching capacity
- Solder and plug connection
- AC/DC versions also with gold-plated contacts
- Safe-to-touch test button, selectable locking
- White labelling panel



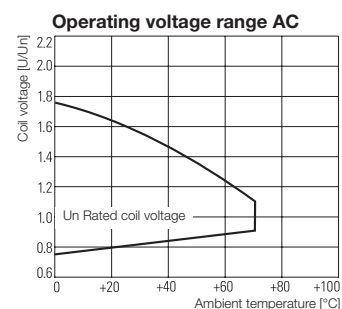
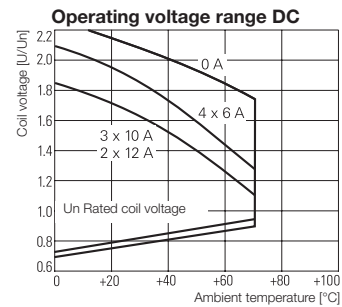
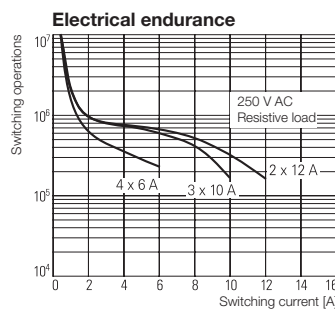
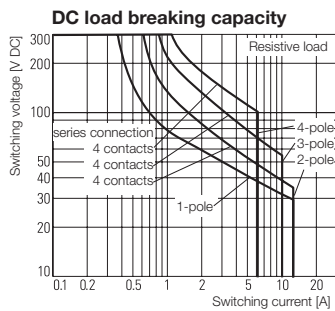
### Circuit diagram

View of connections  
Dimensions in mm



Output	
max. switching voltage AC	250 V
Continuous current	6 A
Contact base material	AgNi 90/10 or AgNi 5µm Au
Mechanical endurance	AC coil 20x10 <sup>6</sup> / DC coil 30x10 <sup>6</sup> switching operations
Response time / Drop-out time	15ms / 10ms
Rated data	
Status indicator / Free wheel diode	see ordering data
Operating temperature	-40 °C...+70 °C
UL 94 flammability rating	V-0
Approvals	cURus; CE; VDE;
Insulation coordination (IEC 60664)	
Rated voltage	240 V
Creepage and clearance path input - output	≤ 3mm
Overvoltage category	III
Pollution severity	2
Dimensions	
Length x width x height	mm 28 / 22.5 / 29
Note	

## Applications



**RCM relay  
4 CO contact  
AC/DC coil**

**Type code**

**Type** RIDER Control Multiple

**Contacts**

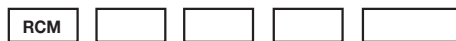
- 2 2 CO contacts
- 3 3 CO contacts
- 5 4 CO contacts

**Contact material**

- 7 AgNi 90/10, with test button
- 8 AgNi 90/10 hgp, with test button

**Type of construction**

- 0 Standard, 2.8 mm Faston
- 1 Print connections



**DC coil**

- 006 6 V DC
- 012 12 V DC
- 024 24 V DC
- 048 48 V DC
- 060 60 V DC
- 110 110 V DC
- 220 220 V DC

**AC coil**

- 506 6 V AC
- 512 12 V AC
- 524 24 V AC
- 548 48 V AC
- 615 115 V AC
- 730 230 V AC

**Ordering data**

Input	12 V DC 4CO	24 V DC 4CO	48 V DC 4CO	110 V DC 4CO
Rated voltage	12 V DC	24 V DC	48 V DC	110 V DC
DC Response/dropout Volt	9.0 V / 1.2 V	18 V / 2.4 V	36 V / 4.8 V	82.5 V / 11 V
Power rating	750 mW	750 mW	750 mW	750 mW
Rated current DC	62.5 mA	31,3 mA	15.6 mA	6.8 mA
Coil resistance	192 Ω ±10%	777 Ω ±10%	3072 Ω ±10%	16133 Ω ±15%

Ordering data Relay				
without LED Type	RCM570012	RCM570024	RCM570048	RCM570110
AgNi 90/10 Order No.	<b>8054360000</b>	<b>8690200000</b>	<b>8074670000</b>	<b>8074700000</b>
with LED Type	RCM570L12	RCM570L24	RCM570L48	RCM570M10
AgNi 90/10 Order No.	<b>8690180000</b>	<b>8690220000</b>	<b>8690230000</b>	<b>8690240000</b>
without LED Type	RCM580012	RCM580024	RCM580048	RCM580110
AgNi 5µm Au Order No.	<b>on request</b>	<b>8694460000</b>	<b>on request</b>	<b>8829000000</b>

Note				

**Ordering data**

Input	24 V AC 4CO	48 V AC 4CO	115 V AC 4CO	230 V AC 4CO
Rated voltage	24 V AC	48 V AC	115 V AC	230 V AC
AC Response/dropout Volt	19,2 V / 7,2 V	38,4 V / 14,4 V	92 V / 34,5 V	184 V / 69 V
Power rating	1,0 VA	1,0 VA	1,0 VA	1,0 VA
Rated current AC	41,6 mA	21,3 mA	8,8 mA	4,3 mA
Coil resistance	192 Ω ±10%	777 Ω ±10%	4845 Ω ±12%	19465 Ω ±15%

Ordering data Relay				
without LED Type	RCM570524	RCM570548	RCM570615	RCM570730
AgNi 90/10 Order No.	<b>8690110000</b>	<b>1180900000</b>	<b>1180800000</b>	<b>1181100000</b>
with LED Type	RCM570R24	RCM570R48	RCM570S15	RCM570T30
AgNi 90/10 Order No.	<b>8690120000</b>	<b>8690130000</b>	<b>8690150000</b>	<b>8690160000</b>
without LED Type	RCM580524		RCM580615	RCM580730
AgNi 5µm Au Order No.	<b>7940008171</b>		<b>8824860000</b>	<b>7940007637</b>

Note				