

1-stage surge protection

The surge protection is plugged in to protect the sensitive electronics in the signalling circuit.

The suppression circuit with varistor suppresses the induced voltage in solenoid valves.

The PE connection leaves the housing via a separate line. The green/yellow earthing cable must be connected to the system earth to ensure reliable discharge of interference pulses.

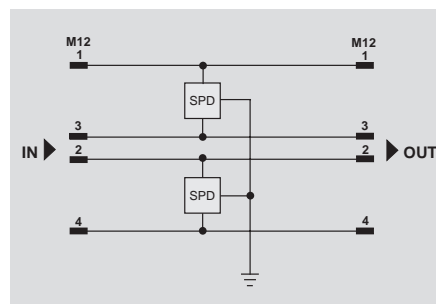
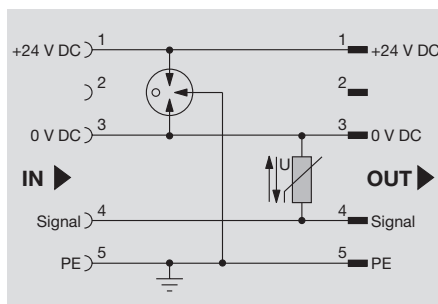
JPOVP 24 V DC MOV M12

Suppression circuit with diode



JPOVP Cat.5 M12

Ethernet Cat.5



Technical data

Technical data

Rated voltage
 Operating voltage (DC), max.
 Rated discharge current per path (8/20 μs)
 Total discharge current, max. (8/20 μs)
 DC response voltage
 Attenuation
 Response time
 Rated current
 Protection level, signal line, wire to wire/PE
 Protection level, supply, wire to wire/PE
 Leakage current at U_n

24 V DC
 28 V
 5 kA
 10 kA
 90 V
 -
 ≤ 25 ns
 2 A
 230 V/230 V
 85 V/85 V
 1 μA

30 V AC/DC
 30 V
 5 kA
 10 kA
 230 V
 < 0.3 dB at 250 Hz
 ≤ 5 ns
 0.2 A
 130 V/600 V
 80 V/300 V

General data

Operating temperature
 Surge category
 Pollution severity
 Type of connection
 Approvals

-25 ... 60°C
 II
 2
 M12 - plug/socket, A-coded
 CE

-25 ... 60°C
 III
 2
 to IEC 61076-2-101-AI; M12 - plug/plug, D-coded
 CE

Dimensions

Clamping range (rating- / min. / max.) mm²
 Length x width x height mm

83 x 36 x 14.4

57 x 36 x 14.4

Note

Each cable 1.5 m long

Ordering data

Type	Qty.	Order No.
JPOVP 24VDC MOV M12	1	8760960000

Type	Qty.	Order No.
JPOVP M12 D-coded Cat5	1	8805570000

Note

Accessories

Note

Retaining clip
 JP CLIP M 8778490000

Retaining clip
 JP CLIP M 8778490000

1-stage surge protection

Jackpac OVP terminal equipment against the overvoltages that can occur as a result of atmospheric discharges or storms. This type of protection in the form of an adapter is available in IP20 and IP67 versions and complies with the requirements of class III to IEC 61643-21.

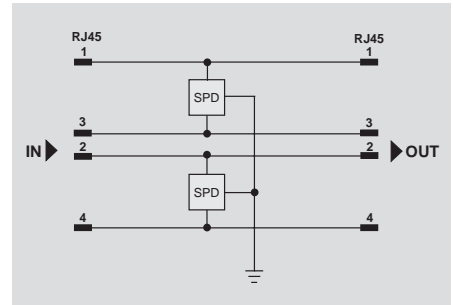
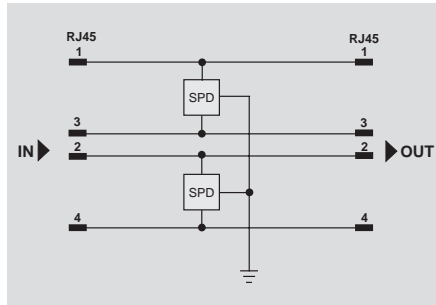
JPOVP Cat.6 IP20

Ethernet Cat.6



JPOVP Cat.6 IP67

Ethernet Cat.6



Technical data

Technical data

Rated voltage
 Operating voltage (DC), max.
 Rated discharge current per path (8/20 μs)
 Total discharge current, max. (8/20 μs)
 DC response voltage
 Attenuation
 Response time
 Rated current
 Protection level, signal line, wire to wire/PE
 Protection level, supply, wire to wire/PE
 Leakage current at Un

34 V AC / 48 V DC
 48 V
 5 kA
 10 kA
 230 V
 < 0,3 dB at 250 Hz
 ≤ 5 ns
 0,2 A
 130 V/600 V
 80 V/300 V

34 V AC / 48 V DC
 48 V
 5 kA
 10 kA
 230 V
 < 0,3 dB at 250 Hz
 ≤ 5 ns
 0,2 A
 130 V/600 V
 80 V/300 V

General data

Operating temperature
 Surge category
 Pollution severity
 Type of connection
 Approvals

-25 ... 60°C
 III
 2
 RJ45 plug;IP 20
 CE

-25 ... 60°C
 III
 2
 RJ45 plug;IP 67
 CE

Dimensions

Clamping range (rating- / min. / max.) mm²
 Length x width x height mm

53 x 36 x 14,4

53 x 36 x 14,4

Note

each with 1.5 m cable

each with 1 m cable and IP67 cable gland

Ordering data

Type	Qty.	Order No.
JPOVP RJ45 Cat6 IP20	1	8805550000

Type	Qty.	Order No.
JPOVP RJ45 Cat6 IP67	1	8805560000

Note

Accessories

Note

Retaining clip
 JP CLIP M 8778490000

Retaining clip
 JP CLIP M 8778490000

3-stage surge protection

With gas discharge tube, varistor and suppression diode.

For protecting binary switching signals up to 24 V, or for analogue measuring circuits with 0...20 mA or 0...10 V.

The PE connection leaves the housing via a separate line. The green/yellow cable must be securely connected to the systems earth to ensure reliable discharging of interference pulses.

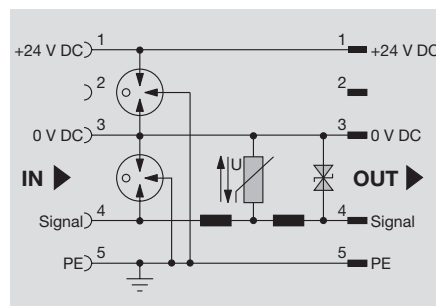
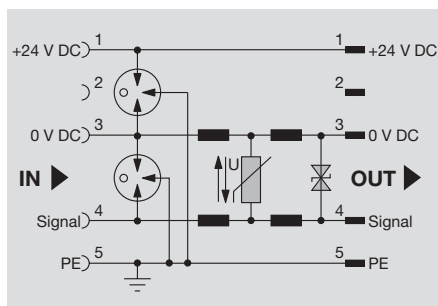
JPOVP 24 V DC ANA M12

for analogue signals



JPOVP 24 V DC BIN M12

for digital signals



Technical data

Technical data

Rated voltage
 Operating voltage (DC), max.
 Rated discharge current per path (8/20 µs)
 Total discharge current, max. (8/20 µs)
 DC response voltage
 Varistor
 Suppression diodes
 Response time
 Rated current
 Protection level, signal line, wire to wire/PE
 Protection level, supply, wire to wire/PE
 Leakage current at Un

24 V DC
 28 V
 5 kA
 10 kA
 90 V
 30 V
 yes
 ≤ 100 ps
 2 A
 45 V/65 V
 85 V/85 V
 1 µA

24 V DC
 28 V
 5 kA
 10 kA
 90 V
 30 V
 yes
 ≤ 100 ps
 2 A
 45 V/65 V
 85 V/85 V
 1 µA

General data

Operating temperature
 Surge category
 Pollution severity
 Type of connection
 Approvals

-25 ... 60°C
 II
 2
 M12 - plug/socket, A-coded
 CE

-25 ... 60°C
 II
 2
 M12 - plug/socket, A-coded
 CE

Dimensions

Clamping range (rating- / min. / max.) mm²
 Length x width x height mm

83 x 36 x 14

83 x 36 x 14

Note

Ordering data

Type	Qty.	Order No.
JPOVP 24VDC ANA M12	1	8760970000

Type	Qty.	Order No.
JPOVP 24VDC BIN M12	1	8760980000

Note

Accessories

Note

Retaining clip
 JP CLIP M 8778490000

Retaining clip
 JP CLIP M 8778490000