

DS1 SERIES

DC Current Sensing Switches

The DS1 Series Current Sensing Switches are designed to trip a solid state contact when there is DC current through the sensor window. The sensor can be used to interlock two operations for safety. When one load is energized, the contact will keep another from also energizing. The power supply voltage and the controlled circuit voltage can be derived from a single source or separate sources. The monitored circuit can be any DC voltage and any amount of current as long as the conductor will pass through the window. The monitored circuit is completely isolated from the control circuit. If there is 3/4 of one amp through the aperture, the output will change state.

Current Sensing Switch Applications

- As a Safety Interlock, it is a non-intrusive method to keep personnel safe.
- Alarm contact when a load is operating or when it is not energized.
- Detect PV system leakage by monitoring the earth bond conductor.
- Use the contact to turn on a lighting circuit when a load is energized.
- Instant indication of equipment status.



Current Sensing Switch Features

Compact, One-piece Design

- Fits in easily amongst motor starters and power supplies in crowded control cabinets.

Input Isolation

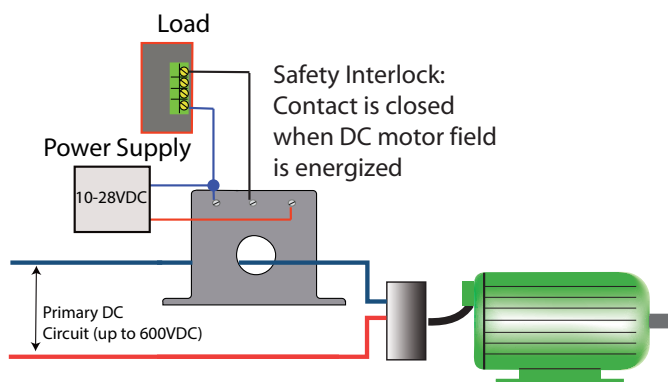
- Safer than shunt/relay combinations.

Unique Power Supply Connection

- Sensor power and switched load share a common point making installation easy.

Built-in Mounting Feet

- Simple, two-screw installation allows for secure mounting.

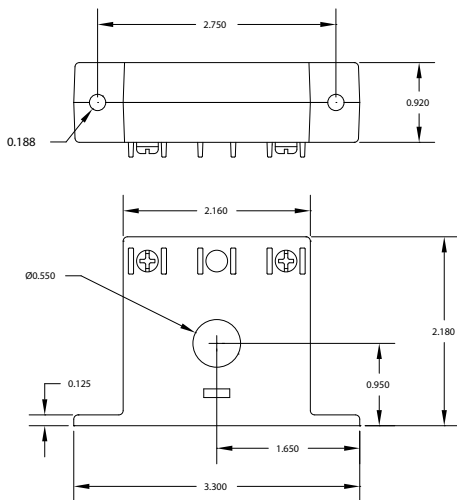


Free program expedites evaluation process. See page 1 for details.



Current Sensing Switch Dimensions

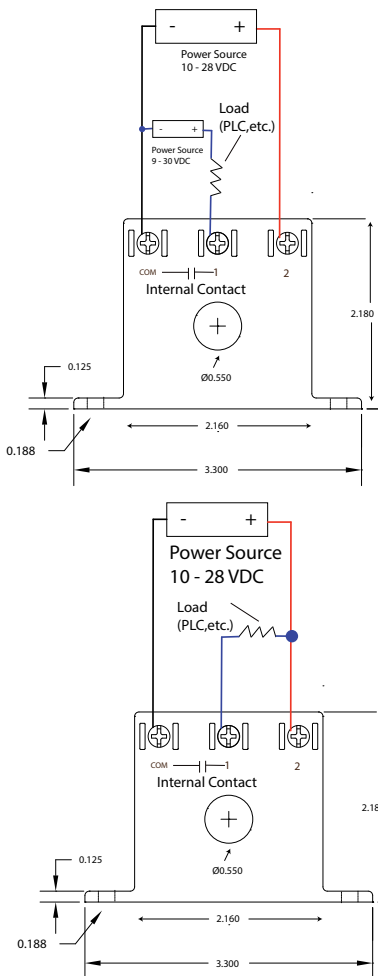
FF Case



Current Sensing Switch Specifications

Output Type	Solid-state Contact
Response Time	100 ms
Isolation Voltage	Tested to 3 KV
Off State Leakage	<1 micro A
Frequency Range	DC
Power Supply	10-28 VDC <2 VA
Current Ranges	Trips at 0.75, max. 1000 A for 5 seconds, 500 ADC continuous
Sensing Aperture	0.55" (14 mm) diameter
Case	UL94 VO Flammability Rated
Environmental	-4 to 122°F (-20 to 50°C) 0-95% RH, non-condensing

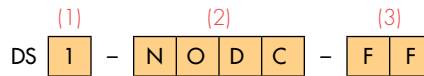
Current Sensing Switch Connections



Notes:
 Zinc plated screw terminals solid core.
 Deadfront enclosed terminals split core.
 12-22 AWG solid or stranded.
 Not polarity sensitive.

Current Sensing Switch Ordering Information

Sample Model Number: DS1-NODC-FF
 Solid core DC current sensing switch closes with 0.75 ADC, normally open, front terminal solid-core housing.



(1) Range

1	0.75 ADC
---	----------

(2) Output Type

NODC	Normally Open (1 A @ 28 VDC)
------	------------------------------

(3) Case Style

FF	Solid-core, Front Terminals
----	-----------------------------

