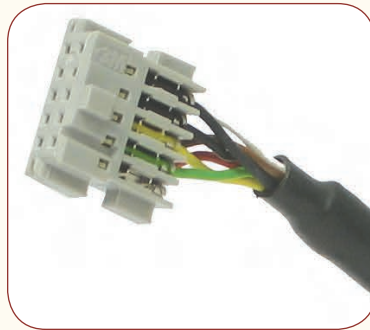


DR425

## Direct Replacement Encoder For Quantum ATL P3000 Storage System



Do you need to replace the ATL6310783-01 encoder in your Quantum ATL P3000 storage system? The Accu-Coder™ DR425 from Encoder Products Company is a direct replacement. Encoder Products Company originally manufactured these encoders for the Quantum ATL P3000 System. Each DR425 is an exact match of the original encoder shipped with the ATL P3000 System.



### The Accu-Coder™ DR425 Features:

- Low profile (1.19") encoder body
- 8 mm thru-bore with front clamp
- Quadrature A & B channels
- 1024 CPR
- Line driver output
- Slotted flexible mounting system makes installation easy and allows for insulation and isolation from vibration
- 10-pin 3M connector
- Advanced Opto-ASIC technology for superior noise immunity
- Withstands temperatures up to 100° C

### The Accu-Coder™ Advantage

- Get this encoder **FAST!**
- *Huge savings* in price comparison!
- The accuracy, reliability, and quality that only come from an Accu-Coder™
- Industry Best 3-year warranty!

**ACCU-CODER™**  
by Encoder Products Company



Direct Replacement Encoders

## Model DR425 Specifications

### Electrical

Input Voltage ..... 4.75 to 16 VDC  
 Input Current ..... 100 mA max with no output load  
 Output Format ..... Incremental- Two square waves in quadrature with channel A leading B for clockwise shaft rotation, as viewed from the mounting face. See *Waveform Diagrams* below.  
 Output Types ..... Line Driver- 20 mA max per channel (Meets RS 422 at 5 VDC supply)  
 Freq. Response ..... 200 kHz standard  
 Noise Immunity ..... Tested to BS EN61000-6-2; BS EN50081-2; BS EN61000-4-2; BS EN61000-4-3; BS EN61000-4-6, BS EN55011  
 Symmetry ..... 180° (±18°) electrical  
 Quad. Phasing ..... 90° (±22.5°) electrical  
 Min. Edge Sep ..... 67.5° electrical  
 Accuracy ..... Within 0.01° mechanical from one cycle to any other cycle, or 0.6 arc minutes

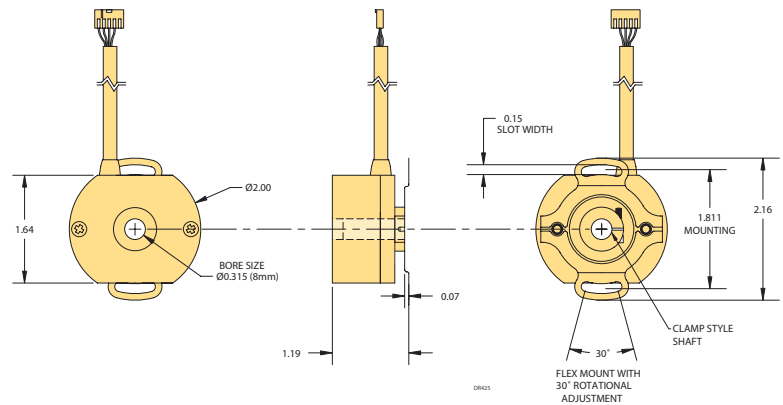
### Mechanical

Max Shaft Speed .... 7500 RPM  
 Bore Size ..... 8 mm  
 Bore Tolerance ..... -0.0000" / +0.0006"  
 User Shaft Tolerances  
   Radial Runout ..... 0.007" max  
   Axial Endplay ..... ±0.030" max  
 Starting Torque ..... 0.50 oz-in  
 Moment of Inertia ..... 3.9 X 10<sup>-4</sup> oz-in-sec<sup>2</sup>  
 Max Acceleration ..... 1 X 10<sup>5</sup> rad/sec<sup>2</sup>  
 Electrical Conn ..... 18" cable (foil and braid shield, 24 AWG conductors) with 10-pin 3M connector  
 Housing ..... Black non-corrosive finish  
 Mounting ..... Slotted Flex Mount standard  
 Weight ..... 3.5 oz typical

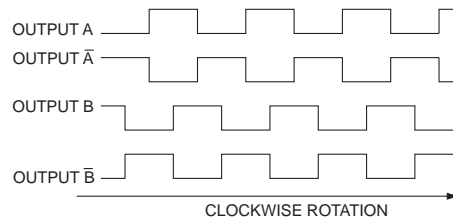
### Environmental

Operating Temp ..... 0° to 100°C for high temperature option  
 Storage Temp ..... -40° to +100° C  
 Humidity ..... 98% RH non-condensing  
 Vibration ..... 10 g @ 58 to 500 Hz  
 Shock ..... 50 g @ 11 ms duration  
 Sealing ..... IP50

## DR425 Dimensions



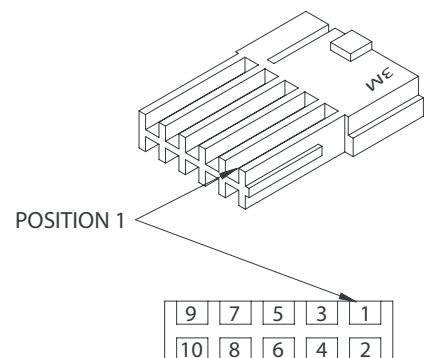
## DR425 Waveform Diagrams



DR425

## DR425 Wiring Tables

Position	Function	Cable Wire Color
1	Drain	Shield
2	+VDC	White
3	COM	Black
4	N/C	---
5	A-	Yellow
6	A+	Brown
7	B-	Green
8	B+	Red
9	N/C	---
10	N/C	---



This Direct Replacement Encoder provided by;