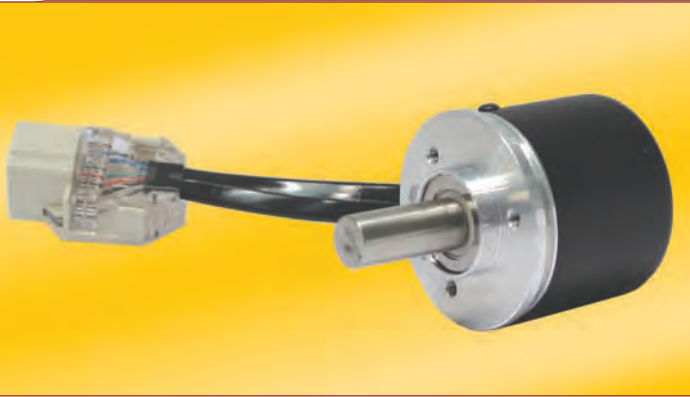


DR274

Direct Replacement Encoder For The Microcut Controller- Perfecta Printing Presses



For many years Encoder Products Company supplied an encoder to Goldengate Microsystems for their "Microcut" Controller, often used as backstop gauges in the printing and binding industry. Perfecta USA manufactures printing presses that use this Microcut Controller. With the female RJ45 connector, replacement of this encoder is usually as simple as just plugging it in.



Encoders produced for Goldengate Microsystems included both male and female connectors. Because DR274 is offered with a female connector only, a short RJ45 male-to-male patch cord will provide an easy installation if your controller has a female connector. These patch cords are readily available from electronics supply stores.

The Accu-Coder™ DR274 Features:

- High precision 1.5" incremental encoder
- Stainless steel 3/8" shaft
- Quadrature A & B with reference channels
- 500 CPR
- Line Driver output
- 4.5" of Cable with RJ45 phone jack
- 3 hole servo mount 120° apart

The Accu-Coder™ Advantage

- Get this encoder **FAST!**
- *Huge savings* in price comparison!
- The accuracy, reliability, and quality that only come from an Accu-Coder™
- Industry Best 3-year warranty!

Model DR274 Specifications

Electrical

Input Voltage.....4.75 to 28 VDC max for temperatures up to 70° C
 Input Current.....100 mA max with no output load
 Input Ripple.....100 mV peak-to-peak at 0 to 100 kHz
 Output Format.....Incremental- Two square waves in quadrature with channel A leading B for clockwise shaft rotation, as viewed from the encoder mounting face. See *Waveform Diagrams* below.
 Output Type.....Line Driver- 20 mA max per channel (meets RS 422 at 5 VDC supply)
 Freq Response.....100 kHz
 Noise Immunity.....Tested to BS EN61000-4-2; IEC801-3; BS EN61000-4-4; DDENV 50141; DDENV 50204; BS EN55022 (with European compliance option); BS EN61000-6-2; BS EN50081-2
 Symmetry.....180° (±18°) electrical at 100 kHz output
 Quad Phasing.....90° (±22.5°) electrical at 100 kHz output
 Min Edge Sep.....67.5° electrical at 100 kHz output
 Rise Time.....Less than 1 microsecond
 Accuracy.....0.017° mechanical (1.0 arc minutes) from one cycle to any other cycle.

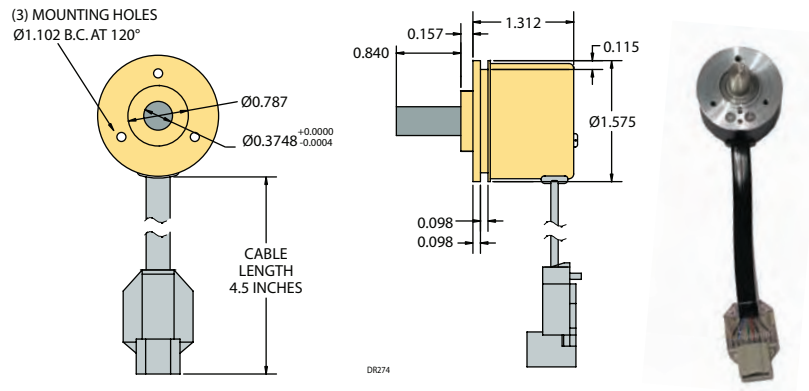
Mechanical

Max Speed.....7500 RPM. Higher shaft speeds may be achievable, contact Customer Service.
 Shaft Size.....0.375" outside diameter
 Shaft Rotation.....Bi-directional
 Radial Shaft Load.....5 lb
 Axial Shaft Load.....3 lb
 Starting Torque.....0.14 oz-in typical
 4.0 oz-in typical for -40° C operation
 Moment of Inertia.....2.8 x 10⁻⁴ oz-in-sec²
 Max Acceleration.....1 x 10⁵ rad/sec²
 Electrical Conn.....4.5" cable with Female RJ45 Connector
 Housing.....Black non-corrosive finish
 Bearings.....Precision ABEC ball bearings
 Mounting.....1.570" Servo Mounting face; see dimensions
 Weight.....3.10 oz typical

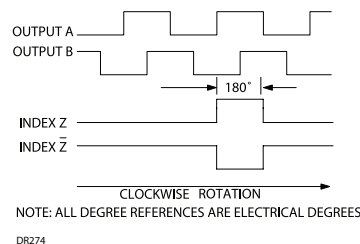
Environmental

Operating Temp.....0° to 70° C
 Storage Temp.....-25° to +85° C
 Humidity.....98% RH non-condensing
 Vibration.....10 g @ 58 to 500 Hz
 Shock.....50 g @ 11 ms duration

DR274 Dimensions

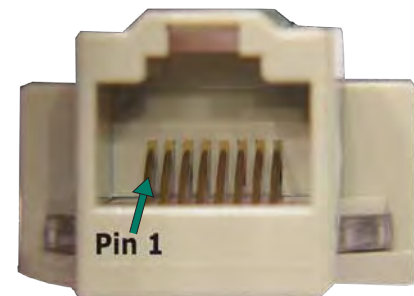


DR274 Waveform Diagram



DR274 Wiring Table

Function	Pin
+VDC	1
A	4
B	6
Z	8
Z'	5
Not Used	3, 7
Ground	2



This Direct Replacement Encoder provided by;