

DR011

Direct Replacement Encoder For BEI EX152



The DR011 is the smart direct replacement choice for the BEI EX152 encoder commonly used on postal sorting equipment, baggage systems, and packaging/conveying equipment. These encoders are in stock and ready for delivery today. This exact replacement has the added benefit of an attached cable saving a technician time by not having to solder wires to a circuit board. Improved sealing means a longer life with increased protection.

If you need to replace a BEI EX152, save yourself both time and money and order the DR011.

**REPLACE
THIS
WITH
THE DR011**



- The Accu-Coder™ DR011 Features:
- High precision 1.50" incremental encoder
 - Stainless steel 1/4" OD shaft
 - Quadrature A & B channels
 - 1000 CPR
 - Push-Pull output
 - Servo mount encoder with 4-40 x .30" deep mounting holes on a 1.100" bolt circle
 - 18" cable with strain relief
 - IP50 sealing
 - Shaft speeds up to 7,500 RPM

The Accu-Coder™ Advantage

- Get this encoder **FAST!**
- *Huge savings* in price comparison!
- The accuracy, reliability, and quality that only come from an Accu-Coder™
- Industry Best 3-year warranty!

Model DR011 Specifications

Electrical

Input Voltage.....4.75 to 28 VDC max for temperatures up to 70° C
 Input Current.....100 mA max with no output load
 Input Ripple.....100 mV peak-to-peak at 0 to 100 kHz
 Output Format.....Incremental- Two square waves in quadrature with channel A leading B for clockwise shaft rotation, as viewed from the encoder mounting face. See *Waveform Diagrams* below.
 Output Type.....Push-Pull- 20 mA max per channel
 Freq Response.....100 kHz
 Noise Immunity.....Tested to BS EN61000-4-2; IEC801-3; BS EN61000-4-4; DDENV 50141; DDENV 50204; BS EN55022 (with European compliance option); BS EN61000-6-2; BS EN50081-2
 Symmetry.....180° (±18°) electrical at 100 kHz output
 Quad Phasing.....90° (±22.5°) electrical at 100 kHz output
 Min Edge Sep.....67.5° electrical at 100 kHz output
 Rise Time.....Less than 1 microsecond
 Accuracy.....0.017° mechanical (1.0 arc minutes) from one cycle to any other cycle.

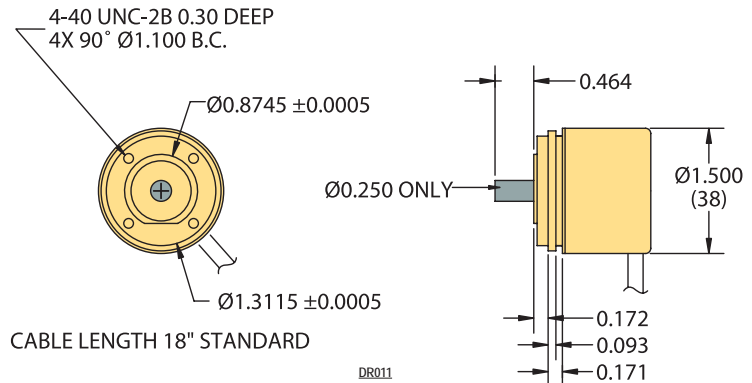
Mechanical

Max Speed.....7500 RPM. Higher shaft speeds may be achievable, contact Customer Service.
 Shaft Size.....0.250" outside diameter
 Shaft Rotation.....Bi-directional
 Radial Shaft Load.....5 lb
 Axial Shaft Load.....3 lb
 Starting Torque.....0.14 oz-in typical
 Moment of Inertia.....2.8 x 10⁻⁴ oz-in-sec²
 Max Acceleration.....1 x 10⁵ rad/sec²
 Electrical Conn.....18" cable (foil and braid shield, 24 AWG conductors)
 Housing.....Black non-corrosive finish
 Bearings.....Precision ABEC ball bearings
 Mounting.....1.3115" Servo Mounting face; see dimensions
 Weight.....3.10 oz typical

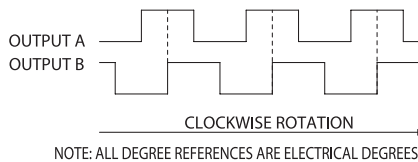
Environmental

Operating Temp.....0° to 70° C
 Storage Temp.....-25° to +85° C
 Humidity.....98% RH non-condensing
 Vibration.....10 g @ 58 to 500 Hz
 Shock.....50 g @ 11 ms duration

DR011 Dimensions



DR011 Waveform Diagram



DR011wave

DR011 Wiring Table

Function	Cable Color
COM	Black
+VDC	White
A	Brown
B	Red
Shield	Bare

This Direct Replacement Encoder provided by;

