

Model 776



Features

- Slim Profile - Only 1.36" In Depth
- Thru-Bore Design For Easy Mounting
- Incorporates Opto-ASIC Technology
- Resolutions to 4096
- Bore Options to 1.875"
- CE Marking Available

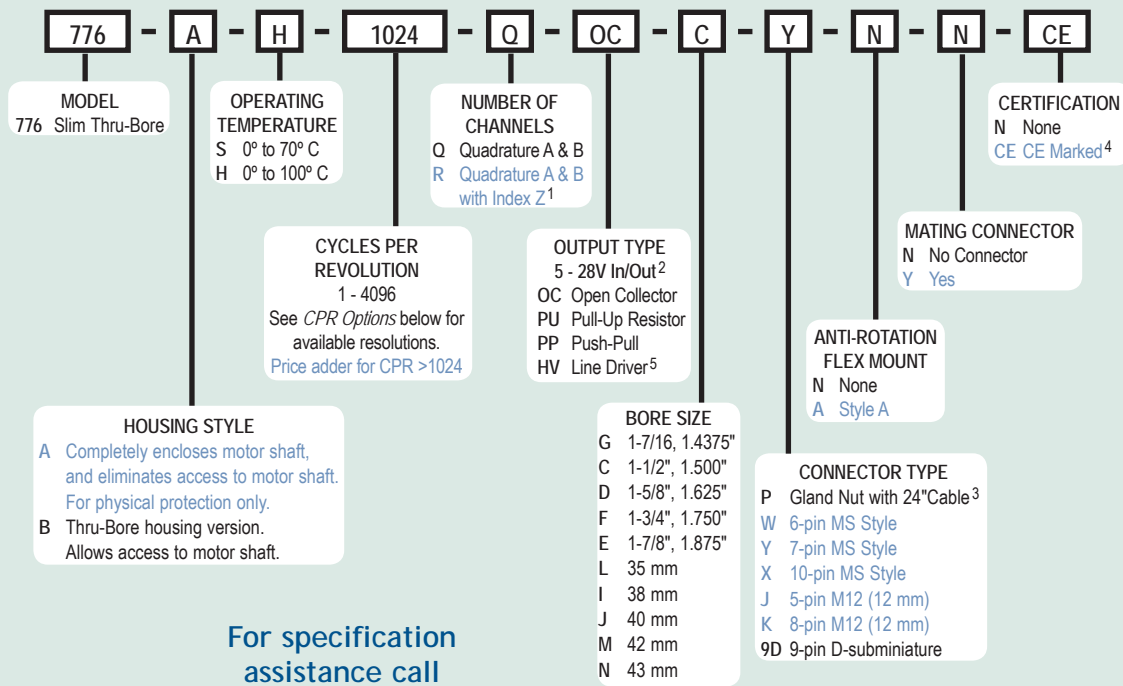
The Thru-Bore Series Accu-Coder™ Model 776 encoder is designed to fit directly on either a motor or other shaft where position, direction, or velocity information is needed. The advanced Opto-ASIC based electronics provide the superior noise immunity necessary in many industrial applications. The Model 776 conveniently features a clamp type mount for fast and easy mounting over a large range of shaft sizes. An optional anti-rotation flex mount maintains housing stability.

Common Applications

Motor Feedback, Velocity & Position Control, Robotics, Conveyors, Material Handling

Model 776 Ordering Guide

Blue type indicates price adder options. Not all configuration combinations may be available. Contact Customer Service for details.



For specification assistance call
Customer Service at
1-800-894-0412

Model 776 CPR Options

| | | | | | |
|------|------|------|------|------|------|
| 0060 | 0100 | 0120 | 0240 | 0250 | 0256 |
| 0500 | 0512 | 0600 | 1000 | 1024 | 2048 |
| 2500 | 4096 | | | | |

Contact Customer Service for other disk resolutions;
not all disk resolutions available with all output types

NOTES:

- 1 Contact Customer Service for *index gating options*.
- 2 5 to 24 VDC max for high temperature option.
- 3 For non-standard cable lengths, add a forward slash (/) plus cable length expressed in feet. Example: P/6 = 6 feet of cable.
- 4 Please refer to Technical Bulletin TB100: *When to Choose the CE Option* at Encoder site.
- 5 Not available with 5-pin M12 or 6-pin MS connector. Available with 7-pin MS connector only without Index Z.

Model 776

Model 776 Specifications

Electrical

- Input Voltage.....4.75 to 28 VDC max for temperatures up to 70° C
4.75 to 24 VDC for temperatures between 70° C to 100° C
- Input Current.....100 mA max with no output load
- Input Ripple.....100 mV peak-to-peak at 0 to 100 kHz
- Output Format.....Incremental- Two square waves in quadrature with channel A leading B for clockwise shaft rotation, as viewed from the mounting face. See *Waveform Diagrams* below.
- Output Types.....Open Collector- 100 mA max per channel
Pull-Up- 100 mA max per channel
Push-Pull- 20 mA max per channel
Line Driver- 20 mA max per channel (Meets RS 422 at 5 VDC supply)
- Index.....Once per revolution.
0475 to 4096 CPR: Gated to output A
0001 to 0474 CPR: Ungated
See *Waveform Diagrams* below.
- Freq. Response.....200 kHz
- Noise Immunity.....Tested to BS EN61000-4-2; IEC801-3; BS EN61000-4-4; DDENV 50141; DDENV 50204; BS EN55022 (with European compliance option); BS EN61000-6-2; BS EN50081-2
- Symmetry.....180° (±18°) electrical
- Quad. Phasing.....90° (±22.5°) electrical
- Min. Edge Sep.....67.5° electrical
- Rise Time.....Less than 1 microsecond

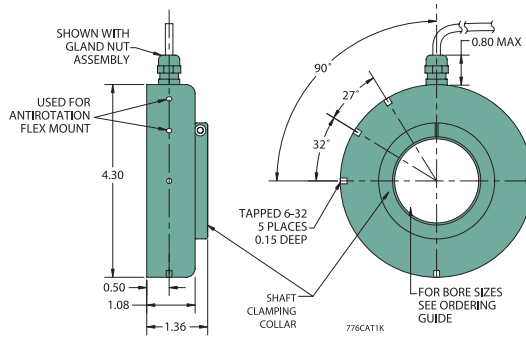
Mechanical

- Max Shaft Speed.....3500 RPM. Higher shaft speeds may be achievable, contact Customer Service.
- Bore Size.....1.500", 1.625", 1.750", 1.875", 35 mm, 38 mm, 40 mm, 42 mm, 43 mm
- User Shaft Tolerances
Radial Runout.....0.005"
Axial Endplay.....±0.030" with appropriate flex mount
- Moment of Inertia.....3.3 x 10⁻³ oz-in-sec² typical
- Electrical Conn.....Gland nut with 24" cable (foil and braid shield, 24 AWG conductors), 6-, 7-, or 10-pin MS Style, 5- or 8-pin M12 (12 mm), or 9-pin D-sub-miniature
- Housing.....All metal construction
- Mounting.....Thru bore with single-screw clamp mount
- Weight.....1.0 lb with gland nut or D-sub connector option
1.5 lb with MS connector option
Note: All weights typical

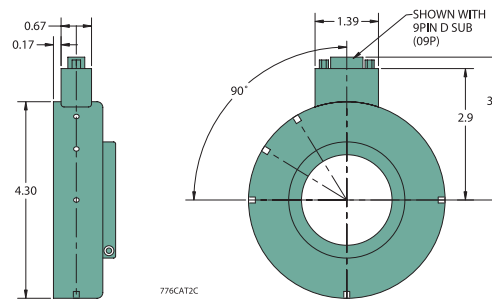
Environmental

- Operating Temp.....0° to 70° C for standard models
0° to 100° C for high temperature option
- Storage Temp.....-25° to 100° C
- Humidity.....98% RH non-condensing
- Vibration.....10 g @ 58 to 500 Hz
- Shock.....50 g @ 11 ms duration
- Sealing.....IP50

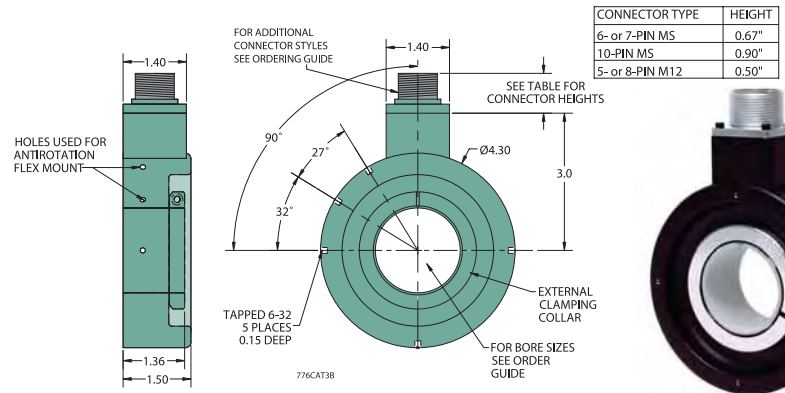
Model 776 With Gland Nut Cable (P)



Model 776 With 9-Pin D-Sub Connector (9D)

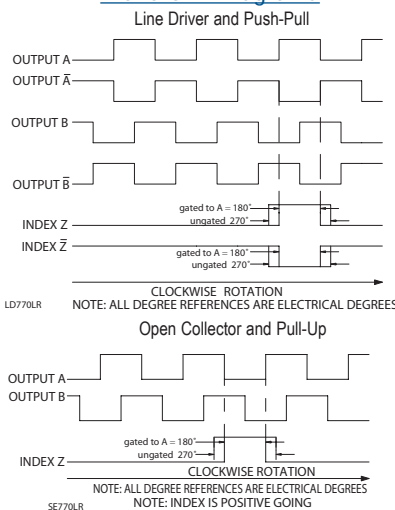


Model 776 Extended Housing (W, X, Y, J, K)



All dimensions are in inches with a tolerance of ±0.005" or ±0.01" unless otherwise specified

Waveform Diagrams



Wiring Table

| Function | Gland Cable Wire Color | 5-pin M12 ⁴ PU, PP, OC | 8-pin M12 ⁴ | 10-pin MS | 7-pin MS HV | 7-pin MS PU, PP, OC | 6-pin MS PU, PP, OC | 9-pin D-sub |
|----------|------------------------|-----------------------------------|------------------------|----------------|----------------|---------------------|---------------------|----------------|
| Com | Black | 3 | 7 | F | F | F | A, F | 9 |
| +VDC | Red | 1 | 2 | D | D | D | B | 1 |
| A | White | 4 | 1 | A | A | A | D | 2 |
| A' | Brown | --- | 3 | H | C | --- | --- | 3 |
| B | Blue | 2 | 4 | B | B | B | E | 4 |
| B' | Violet | --- | 5 | I | E | --- | --- | 5 |
| Z | Orange | 5 | 6 | C | --- | C | C | 6 |
| Z' | Yellow | --- | 8 | J | --- | --- | --- | 7 |
| Shield | Bare ¹ | --- | --- | --- | --- | --- | --- | --- |
| Case | --- | --- | --- | G ² | G ² | G ² | --- | 8 ³ |

¹CE Option: Cable shield (bare wire) is connected to internal Case
²CE Option: Pin G is connected to Case
 Non CE Option: Pin G has No Connection
³CE Option: Pin 8 is connected to Case
 Non CE Option: Pin 8 has No Connection
⁴CE Option: Read Technical Bulletin "TB111" at Encoder site