

Model 225



Features

- Single Channel & Quadrature Models
- Easy To Mount Economical Thru-Bore Design
- Metal Construction
- Bore Sizes To 0.875" or 22 mm

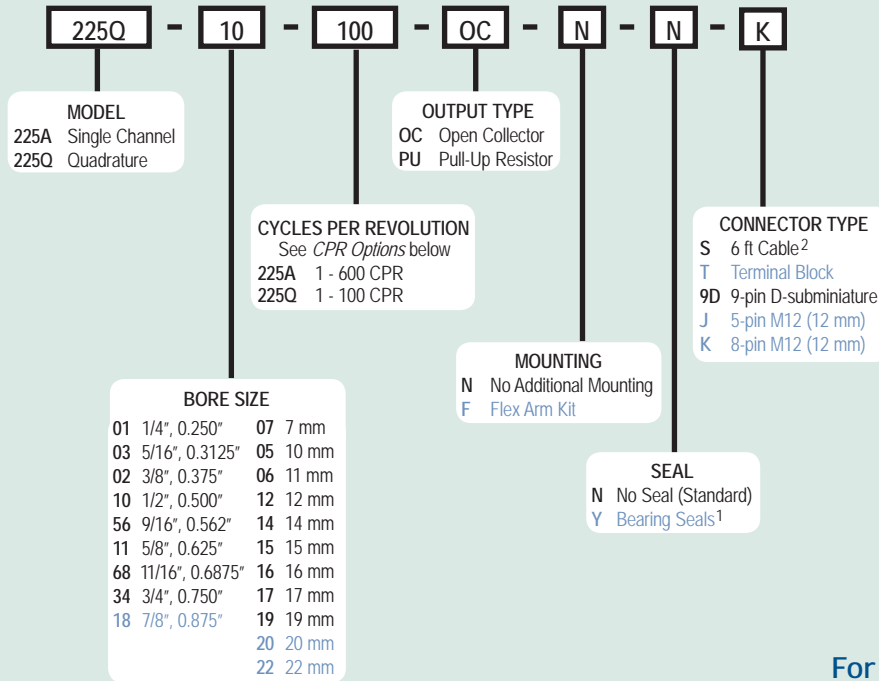
Controlling motor speed is essential for many production assembly machines or robotic equipment. For tachometer feedback, or motor speed control applications, the Model 225 Accu-Coder™ is the ideal encoder choice. The Model 225 Accu-Coder™ is a Thru-Bore encoder available in both single channel (225A) and quadrature (225Q) models. It provides a cost effective solution for simple measurement. Features including an all metal housing, a variety of connector options, and easy installation due to the Thru-Bore design, make the Model 225 Accu-Coder™ ideal for many motion control and manufacturing applications.

Common Applications

Brushless Servo Motor Commutation, Robotics, Motor-Mounted Feedback, Assembly Machines, Digital Plotters, High Power Motors

Model 225 Ordering Guide

Blue type indicates price adder options. Not all configuration combinations may be available. Contact Customer Service for details.



For specification assistance call
Customer Service at
1-800-894-0412

Model 225A/Q CPR Options

225A

1-600 CPR, all resolutions

225Q

001	002	003	004	005	006	010	011
015	016	020	022	025	030	032	040
048	050	060	062	080	083	090	099
100							

Contact Customer Service for other disk resolutions

NOTES:

- 1 Shaft speed limited to 400 RPM.
- 2 For Non-Standard Cable Lengths add a forward slash (/) plus cable length expressed in feet. Example: S/12 = 12 feet of cable.

Model 225

Model 225A Specifications Single Channel

Electrical

Input Voltage.....4.75 to 24 VDC
 Input Current.....32 mA max with Pull-Up option
 Input Ripple.....100 mV peak-to-peak at 0 to 100 kHz
 Output Format.....Square wave 50% duty cycle
 Output Types.....Open Collector- 100 mA max
 Pull-Up- 20 mA max (1.5K)
 Freq Response.....0 to 6 kHz
 Rise Time.....Less than 1 microsecond
 Cycles per Rev.....1 to 600

Mechanical

Max. Shaft Speed....4000 RPM
 Bore Size.....0.250" to 0.875"
 7 mm to 22 mm (See Ordering Guide)

Bore Tolerance.....Bore H7 fit for g6 shaft Class LC5 per
 ANSI B-4.1 Standard

Running Torque.....10 oz-in typical
 Housing.....Black non-corrosive finish
 Bearings.....Precision ABEC ball bearings
 Electrical Conn.....6 feet cable with strain relief (shielded, 24
 AWG conductors), 9-pin D-subminiature, 5- or
 8-pin M12 (12 mm), Terminal Block
 Weight.....8 oz typical

Environmental

Operating Temp.....0° to +70° C
 Storage Temp.....-25° to +85° C
 Humidity.....95% RH non-condensing
 Vibration.....3 g @ 5 to 1000 Hz
 Shock.....20 g @ 10 ms duration

Model 225Q Specifications Quadrature

Electrical

Input Voltage.....4.75 to 24 VDC
 Input Current.....64 mA max with Pull-Up option
 Input Ripple.....100 mV peak-to-peak at 0 to 100 kHz
 Output Format.....Square wave 50% duty cycle in quadrature
 Output Types.....Open Collector- 100 mA max per channel
 Pull-Up- 20 mA max per channel (1.5K)
 Freq Response.....0 to 6 kHz
 Rise Time.....Less than 1 microsecond
 Cycles Per Rev.....1 to 100

Mechanical

Max. Shaft Speed....4000 RPM
 Bore Size.....0.250" through 0.875"
 7 mm through 22 mm (see Ordering Guide)

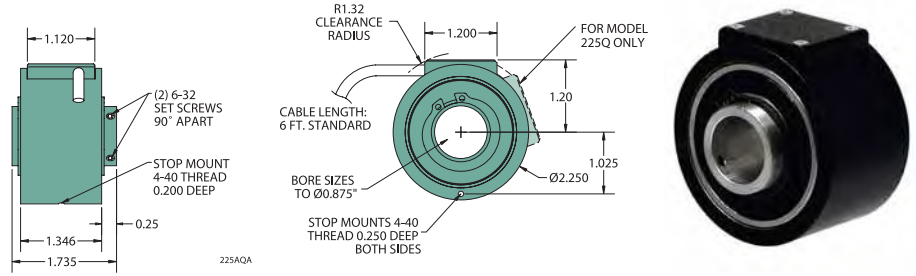
Bore Tolerance.....Bore H7 fit for g6 shaft Class LC5 per
 ANSI B-4.1 Standard

Running Torque.....10 oz-in typical
 Housing.....Black non-corrosive finish
 Bearings.....Precision ABEC ball bearings
 Electrical Conn.....6 feet cable with strain relief (shielded, 24
 AWG conductors), 9-pin D-subminiature, 5- or
 8-pin M12 (12 mm), Terminal Block
 Weight.....10 oz typical

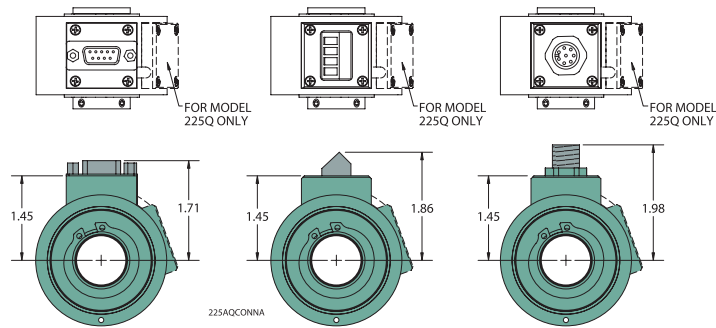
Environmental

Operating Temp.....0° to +70° C
 Storage Temp.....-25° to +85° C
 Humidity.....95% RH non-condensing
 Vibration.....3 g @ 5 to 1000 Hz
 Shock.....20 g @ 10 ms duration

Model 225

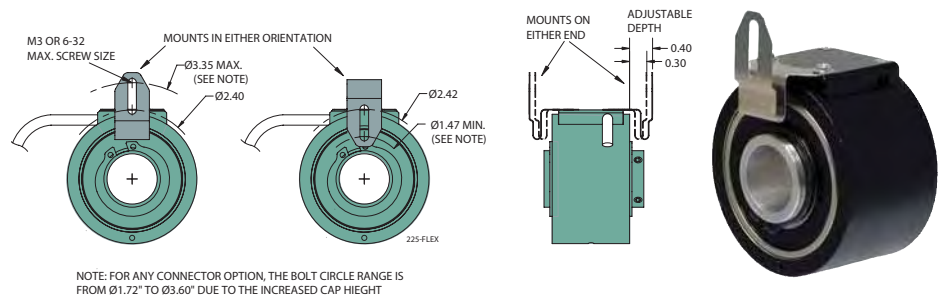


Model 225 Connector Options



Model 225 Mounting Option (F) Flex Arm Kit

To order Model 225 Flexible Mounting Arm Kit as an accessory, order Part # 140106-01. Kit may be mounted in either an up or down orientation.



All dimensions are in inches with a tolerance of $\pm 0.005"$ or $\pm 0.01"$ unless otherwise specified

Wiring Table

Function	Gland Cable Wire Color	5-pin M12	8-pin M12	Term. Block	D-sub 9-pin
Com	Black	3	7	1	9
+VDC	Red	1	2	2	1
A	White	4	1	3	2
B	Green	2	4	4	4
Shield	Bare	----	----	----	----

Waveform Diagram Models 225A/Q

