



Product Data Sheet

2205AS-L

Floor mount overhead door contact with stainless steel armored cable

Overhead Door Magnetic Contact

The Sentrol 2200 series overhead door magnetic contact is for use in the rigorous environments of commercial and industrial installations. The floor mount units are constructed with a low profile heavy cast aluminum housing. The reed switch assembly is fully encased in Sentrol's exclusive polyurethane potting material to prevent damage due to moisture or humidity.

Easy Installation

A wide operating gap distance of up to 7.5 cm makes installation easy and helps prevent false alarms caused by door movement or damaged and loose fitting doors.

Durability and dependability

The Sentrol high performance magnetic contacts have been designed to facilitate installation and ensure durability and dependability. Most are conservatively rated at 10,000,000 cycles, guaranteeing a long life. Every reed connection is hand soldered and each magnetic contact is tested before they leave the factory, 100% of the time.

High quality components and materials

Reed legs are plated with rhodium or ruthenium, and hermetically sealed in dry nitrogen. This offers superior protection against sticking and provides a moisture free environment therefore preventing corrosion.



Standard Features

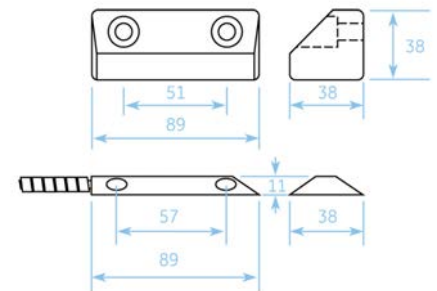
- Miniature, low profile design
- Stainless steel armored cable for added security, reliability
- Wide working gap for overhead doors
- Small size less likely to be damaged by forklifts
- Optional tamper loop (depending on model)

2205AS-L

Floor mount overhead door contact with stainless steel armored cable

Specifications

Gap distance (max)	76 mm
Connections	90 cm stainless steel armored cable
Contact	NC
Supervised loop	Yes
Dimensions (L x W x H)	
Contact	89 x 38 x 11 mm
Magnet	89 x 38 x 38 mm
Color	Aluminum
Magnet	1958-L
Remarks	



Ordering Information

Part No.	Description
2205AS-L	Floor mount overhead door contact with stainless steel armored cable

Floor mount overhead door contact with stainless steel armored cable

2205AS-L

Floor mount overhead door contact, heavy duty, with 90 cm supervised stainless steel armored cable, NC contact, gap (7.6 cm)

Specifications

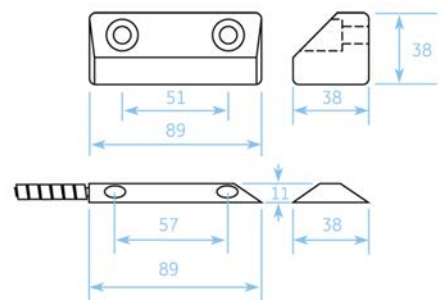
Gap distance (max)	76 mm
Connections	90 cm stainless steel armored cable
Contact	NC
Supervised loop	Yes
Dimensions (L x W x H)	
Contact	89 x 38 x 11 mm
Magnet	89 x 38 x 38 mm
Color	Aluminum
Magnet	1958-L
Remarks	

Ordering Information

2205AS-L Floor mount overhead door contact with stainless steel armored cable



- Miniature, low profile design
- Stainless steel armored cable for added security, reliability
- Wide working gap for overhead doors
- Small size less likely to be damaged by forklifts
- Optional tamper loop (depending on model)





Product Data Sheet

2205AS-LS1

Floor mount overhead door contact with stainless steel armored cable

Overhead Door Magnetic Contact

The Sentrol 2200 series overhead door magnetic contact is for use in the rigorous environments of commercial and industrial installations. The floor mount units are constructed with a low profile heavy cast aluminum housing. The reed switch assembly is fully encased in Sentrol's exclusive polyurethane potting material to prevent damage due to moisture or humidity.

Easy Installation

A wide operating gap distance of up to 7.5 cm makes installation easy and helps prevent false alarms caused by door movement or damaged and loose fitting doors.

Durability and dependability

The Sentrol high performance magnetic contacts have been designed to facilitate installation and ensure durability and dependability. Most are conservatively rated at 10,000,000 cycles, guaranteeing a long life. Every reed connection is hand soldered and each magnetic contact is tested before they leave the factory, 100% of the time.

High quality components and materials

Reed legs are plated with rhodium or ruthenium, and hermetically sealed in dry nitrogen. This offers superior protection against sticking and provides a moisture free environment therefore preventing corrosion.



Standard Features

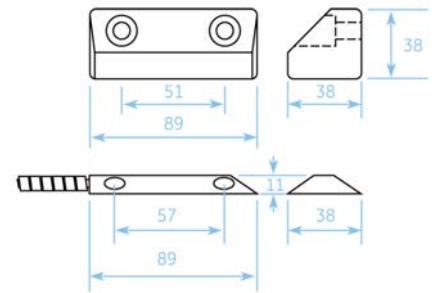
- Miniature, low profile design
- Stainless steel armored cable for added security, reliability
- Wide working gap for overhead doors
- Small size less likely to be damaged by forklifts
- Optional tamper loop (depending on model)

2205AS-LS1

Floor mount overhead door contact with stainless steel armored cable

Specifications

Gap distance (max)	76 mm
Connections	90 cm stainless steel armored cable
Contact	NC
Supervised loop	Yes
Dimensions (L x W x H)	
Contact	89 x 38 x 11 mm
Magnet	89 x 38 x 38 mm
Color	Aluminum
Magnet	1958-L
Remarks	ANPI approved (with label)



Ordering Information

Part No.	Description
2205AS-LS1	Floor mount overhead door contact with stainless steel armored cable

Floor mount overhead door contact, heavy duty, with 90 cm supervised stainless steel armored cable, NC contact, gap (7.6 cm), (ANPI approved)

Specifications

Gap distance (max)	76 mm
Connections	90 cm stainless steel armored cable
Contact	NC
Supervised loop	Yes
Dimensions (L x W x H)	
Contact	89 x 38 x 11 mm
Magnet	89 x 38 x 38 mm
Color	Aluminum
Magnet	1958-L
Remarks	ANPI approved (with label)

Ordering Information

2205AS-LS1	Floor mount overhead door contact with stainless steel armored cable
------------	--



- Miniature, low profile design
- Stainless steel armored cable for added security, reliability
- Wide working gap for overhead doors
- Small size less likely to be damaged by forklifts
- Optional tamper loop (depending on model)

