

# Recessed Roller Plunger

with Wire Leads



## OVERVIEW

The roller plunger contacts save installation time while providing reliable magnetic contact security. The contact switch is activated when the door opens, releasing the tension on the wheel plunger. Drill only one hole to mount the 3005 roller plunger—the entire magnetic contact is housed in an economical single unit. Recessed mounting hides the contact within the frame of the door it protects.

The roller plunger wheel is designed to operate with a smaller surface area in contact with the door. This reduces the likelihood that dirt and other debris will clog the mechanism. The specially designed ABS plastic housing protects the roller wheel from pressure exerted by swelling wood that could cause ball plungers to jam in place.

Used to protect a variety of doors and windows. Can also be used to protect high-value objects on display, such as antiques, rare books or works of art, by placing the object on the recessed contact.

## STANDARD FEATURES

- Benefits of both plunger and ball contact
- Works on all doors, including steel doors
- Reduces installation time—drill only one hole

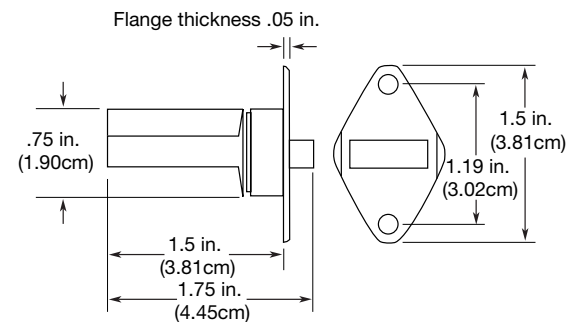
## Specifications

Voltage	100V AC/DC max
Current	0.5A max
Power	7.5W max
Dimensions	1.5 in. (3.81 cm) deep x .75 in. (1.90 cm) diameter
Materials	Flame Retardant ABS Plastic

## Ordering Information

<b>3005-M</b>	Recessed Roller Plunger Contact w/Wire Leads, Works As a Plunger or Ball Switch; Flanges for Positive Retention, Includes Spacer and Mounting Screws, Three Different Mounting Configurations, 1', #22 Wire Leads, Closed Loop, UL listed, Brown
<b>3005-N</b>	Recessed Roller Plunger Contact w/Wire Leads, Works As a Plunger or Ball Switch; Flanges for Positive Retention, Includes Spacer and Mounting Screws, Three Different Mounting Configurations, 1', #22 Wire Leads, Closed Loop, UL listed, White

## Dimensional Diagram



*Note: In order to comply with UL installations, the contact should not be used on exterior doors that open outward.*



interlogix.com

Specifications subject to change without notice.