

2302 Series Curtain Door Magnetic Contacts

Track mount contacts with armored cable

Overview

The 2302 Curtain Door magnetic contacts are designed specifically for curtain style overhead doors. The unique design allows the contact to be mounted directly to the channel of the door, with the magnet mounted horizontally in the door slats, off the floor and out of harm's way. This eliminates the service calls and alarm situations that are created when typical floor-mount contacts become damaged, or as the door becomes misaligned with normal usage.

The interlocking mounting bracket adjusts to fit any size channel width.



Standard Features

- **Designed specifically for curtain-style overhead doors**
- **Interlocking mounting bracket**
- **Magnet mounts in door channel**
- **Fits most door types**
- **Reduced installation time**
- **Fewer service calls**
- **Mounting hardware included**

2302 Series Curtain Door Magnetic Contacts

Track mount contacts with armored cable

Specifications

Electrical, 2302

- Voltage: 100 VAC/DC max.
- Current: 0.5 A max.
- Power: 7.5 W max.

Electrical, 2304

- Voltage: 30 VAC/DC max.
- Current: 0.25 A max.
- Power: 3.0 W max.

Features, 2302

- Loop type: Closed
- Electrical configuration: Normally open
- Gap distance: Up to 3 in.
- Lead type: 2 ft. stainless steel armored cable

Features, 2304

- Loop type: Open or closed
- Electrical configuration: SPDT
- Gap distance: Up to 3 in.
- Lead type: 2 ft. stainless steel armored cable

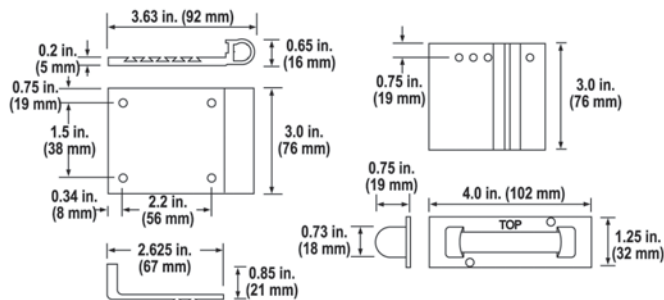
Physical

- Dimensions (LxWxD): 3.6 x 3.0 x 0.65 in. (92 x 76 x 16 mm)
- Construction: Brushed extruded aluminum
- Color: Aluminum

Regulatory

- C-UL-US

Related Diagram



Ordering Information

- | | |
|---------|-----------------------------------------------------------------------------------------------------------------------------------|
| 2302A-L | Magnetic contact for curtain doors, track mount, up to 3 in. gap size, closed loop, normally open, Form A, includes armored cable |
| 2304A-L | Magnetic contact for curtain doors, track mount, up to 3 in. gap size, SPDT, open or closed loop, Form C, includes armored cable |



GE Security