

Screw Mount With Wire Leads

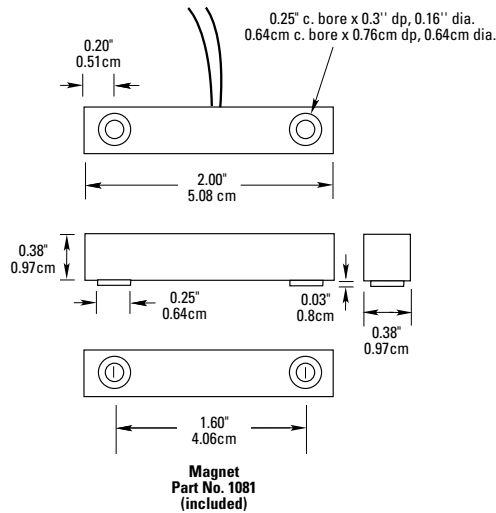
1085 Series

Applications

- Convenient surface mounting
- Mounting screws included

General Specifications

| | |
|-------------------|---|
| Enclosure | ABS Plastic |
| Temperature Range | -40°F to 150°F (-40°C to 65°C) |
| Environmental | Hermetically Sealed Reed Switch Encapsulated in Polyurethane |
| NEMA Rating | 1, 2, 3, 4, 4x, 5, 6, 12 |
| Protection Class | IP 67 |
| Response Time | 1 msec max. |
| Life Cycles | 100,000 Under Full Load, 10,000,000 Under Dry Circuit |
| Lead Types/O.D. | #22 wire / 0.05" (0.15cm) |
| Color Choices | Natural (N), Mahogany (M), Grey (G) |
| UL/ULC Listed | All Models |



| Order Information | | Electrical Specifications | | | | | |
|-------------------|------------------------------------|---------------------------|---------------------------|---------------------------|--------------------|----------------------------------|-------------|
| Part Number | Contact ¹ Configuration | Load Rating (AC/DC) | Switching Voltage (AC/DC) | Switching Current (AC/DC) | Contact Resistance | Sense Range ² Nominal | Lead Length |
| 1085-G, M, N | N.O. | 7.5W/VA | 100V | 0.5A | 0.2 Ohms | 0.6" (1.6cm) | 1' |
| 1085W-M, N | N.O. | 7.5W/VA | 100V | 0.5A | 0.2 Ohms | 1.5" (3.8cm) | 1' |
| 1086-N | N.C. | 3W/VA | 30V | 0.25A | 0.2 Ohms | 0.6" (1.6cm) | 1' |
| 1086W-M | N.C. | 3W/VA | 30V | 0.25A | 0.2 Ohms | 1.5" (3.8cm) | 1' |
| 1081-N | Actuator Only | | | | | | |

Warning— Each electrical rating is an individual maximum and cannot be exceeded!

¹ Configuration with actuator away from the switch

² Proximity of ferrous materials usually reduces sense range — typically by 50%. The shape and type of material cause a wide diversity of effects.

Testing is required to determine actual sense range for specific applications. As measured on a nonferrous surface.

Gap distances are nominal make distance ± 20%. Gap Specifications are for switch to make. Break distance is approximately 1.1 to 1.5 times make.