

1038T SURFACE MOUNT TERMINAL MAGNETIC CONTACT

Model number: 1038T



- **Simple to install**
- **Angled terminal blocks for easy installation**
- **Attractive low-profile design**
- **1" gap distance**

The **1038T Surface Mount Terminal Contact** is designed for window and door applications where a surface mount contact is preferred. Thanks to its unique design, the 1038T is fast and easy to install. The switch and magnet are incorporated into the cover housings, and the terminal blocks are angled for easy access. Simply mount the base plate using tape or mounting screws (provided), connect the wires to the angled terminal blocks and slide the cover housing until it snaps in place. In the unlikely event that the switch needs replacing, just push the cover housing down and slide it off. This reduces replacement time and eliminates any damage to the mounting surface which is typical with traditional surface mount contacts. The 1038T features an attractive, low-profile design and a 1" operating gap.

Sentrol 1038T Series

Architects and Engineering Specifications

The contact contains a hermetically sealed magnetic reed switch. The reed switch shall be potted in the contact housing with a polyurethane based compound. Connection to the contact shall be made through a 2 mm screw terminal block. The contact and magnet can be mounted with either 3M adhesive tape or #4 by 1/2" screws, both provided. Contact and magnet shall be nominal 2.26" (5.74 cm) L x .375" (.95 cm) W x .395" (1.00 cm) D and mount on 1.63" (4.13 cm) centers. Colors shall be specified as white and mahogany brown.

Installation Instructions

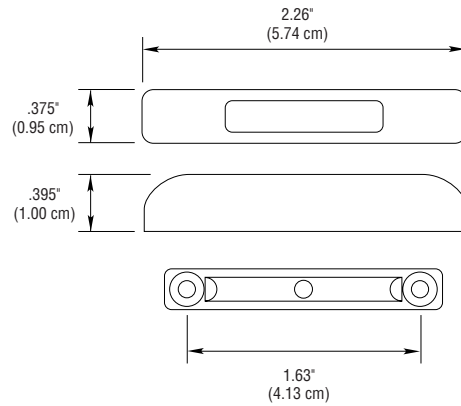
Align and attach mounting plates for switch and magnet using tape or screws (included). Strip loop wire, twist and insert into screw terminals and tighten screws. (Wire can be routed through mounting plate, on either end, or through top of switch housing cut outs provided.) Place switch and magnet covers over center of mounting plates and slide to either left or right until housing snaps into place.

Specifications:

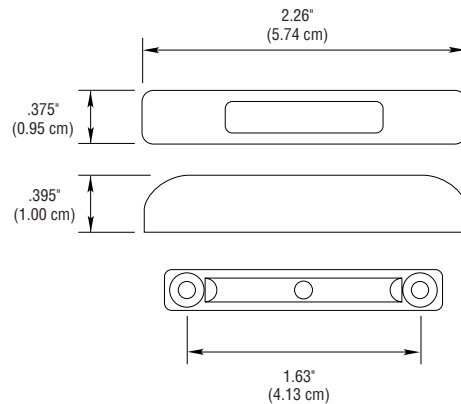
FormA(1038T)

Voltage 100 V AC/DC max
 Current 0.5 A max
 Power 7.5 W max

Switch



1838 Magnet Included



Ordering Information

Model Number	Loop Type	Electrical Configuration	Gap Distance	Listing
1038T	Closed	N.O.	1"	UL, ULC



SENTROL