

## Sensor mounting clamps

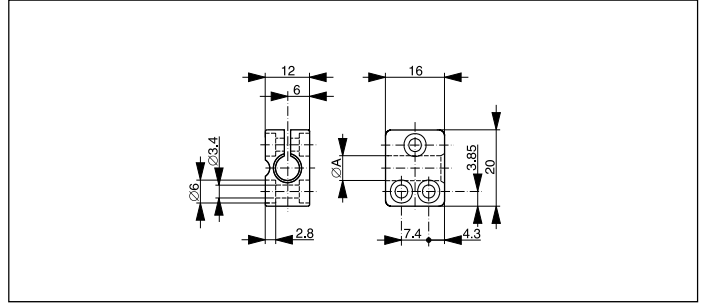


### Features

- For cylindrical sensors from  $\text{\O} 3$  mm to M30
- Simple installation, reduced labor, reduced downtimes
- One-piece construction
- The clamps remain in place even when sensors are exchanged. Loosen screw, exchange sensor, tighten screw - finished!
- Some types feature a limit stop. This allows sensors to be exchanged without the need for readjustment
- Oblong holes permit clamp adjustment



## Ø3, Ø4, Ø5, Ø6.5, Ø8



### Technical data

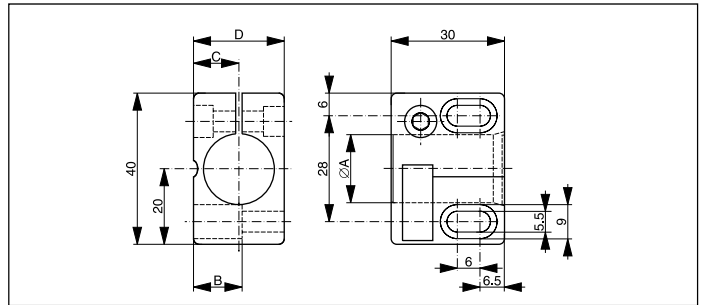
Ref.	Type	A
ASU-0001-030	without limit stop	Ø 3 mm
ASU-0001-040	without limit stop	Ø 4 mm
ASU-0001-050	without limit stop	Ø 5 mm
ASU-0001-065	without limit stop	Ø 6.5 mm
ASU-0001-080	without limit stop	Ø 8 mm
ASU-0002-080	with limit stop	Ø 8 mm

**Material:** PA 6 black

**Screw:** DIN 912; M3 zinc-plated

**Nut:** DIN 934; M3 zinc-plated

## Ø12, Ø18



### Technical data

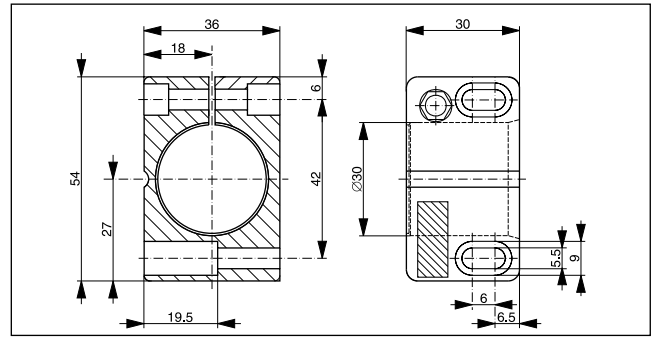
Ref.	Type	A	B	C	D
ASU-0001-120	without limit stop	Ø 12 mm	9.75 mm	9 mm	18 mm
ASU-0002-120	with limit stop	Ø 12 mm	9.75 mm	9 mm	18 mm
ASU-0001-180	without limit stop	Ø 18 mm	12.85 mm	12 mm	24 mm
ASU-0002-180	with limit stop	Ø 18 mm	12.85 mm	12 mm	24 mm

**Material:** PA 6 GK (Ø 18 mm); PA 6 (Ø 12 mm) black

**Screw:** DIN 912; M5 zinc-plated

**Nut:** DIN 934; M5 zinc-plated

Ø30



**Technical data**

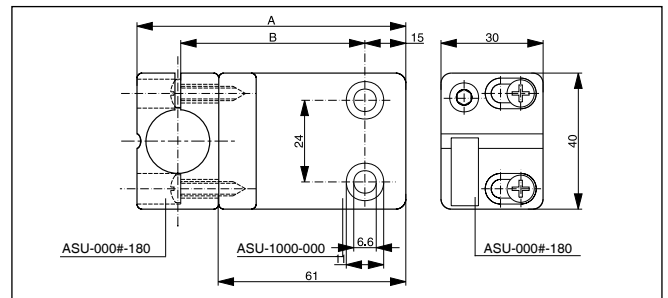
Ref.	Type	
ASU-0001-300	without limit stop	Ø 30 mm
ASU-0002-300	with limit stop	Ø 30 mm

**Material:** PA 6 GK black

**Screw:** DIN 912; M5 x 25 zinc-plated

**Nut:** DIN 934; M5 zinc-plated

**Bases for Ø12, Ø18**

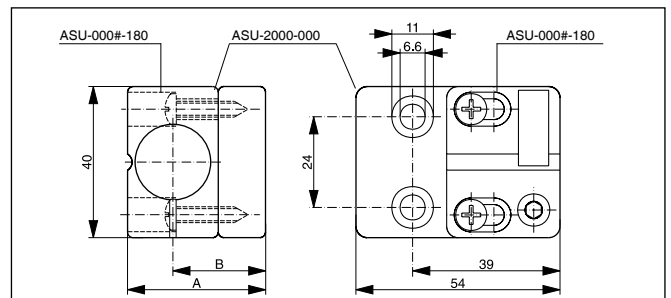


**Technical data**

Ref.	Type	A with Ø12 / Ø18	B with Ø12 / Ø18
ASU-1000-000	horizontal	79 mm / 85 mm	55 mm / 58 mm

**Material:** PA 6 black

**Screws:** DIN 7981; Ø 4.2 zinc-plated



**Technical data**

Ref.	Type	A with Ø12 / Ø18	B with Ø12 / Ø18
ASU-2000-000	vertical	30,5 mm / 36,5 mm	21,5 mm / 24,5 mm

**Material:** PA 6 black

**Screws:** DIN 7981; Ø 4.2 zinc-plated

## Europe

Austria Belgium Czech Republic Denmark  
Finland France Germany Great Britain  
Greece Hungary Ireland Italy Luxembourg  
Netherlands Norway Poland Portugal  
Slovakia Slovenia Spain Sweden  
Switzerland Turkey

## Africa

South Africa

## The Americas

Argentina Brazil Canada Chile Colombia  
Mexico United States Venezuela

## Asia

China India Indonesia Japan Korea  
Malaysia Pakistan Philippines Singapore  
Taiwan Thailand Vietnam

## Australasia

Australia New Zealand

## Middle East

Egypt Iran Israel Syria



## Contrinex

Contrinex has been manufacturing sensors for industrial use since 1972, and today employs over 300 people.

## Products

The strength of Contrinex lies in its wide range of highly innovative sensors with special characteristics:

- very small sizes
- very long operating distances
- resistance to extreme environmental conditions (extreme pressure, temperatures etc.)
- all-metal housings

## Quality

The high quality of Contrinex products is guaranteed by a well-organized ISO 9001:2000 certified management system.

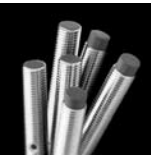
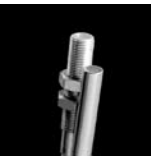
## Customer service

Thanks to a worldwide presence, Contrinex ensures easy contact between customers and the manufacturer.

## Catalog

Please consult our catalog for clear and precise information concerning Contrinex's wide range of products:

- [Inductive, Photoelectric and Ultrasonic Proximity Switches](#)



These devices **must not be used** in applications where the **safety of people** is dependent on their functioning. Terms of delivery and rights to change design reserved.

Your sales agent:



[Contrinex Inc.](#)